



KR 1000 L750 titan F



Technical data

Maximum reach	3601 mm
Maximum payload	-
Rated payload	750 kg
Rated supplementary load, rotating column / link arm / arm	0 kg / 0 kg / 50 kg
Pose repeatability (ISO 9283)	± 0.1 mm
Number of axes	6
Mounting position	Floor
Footprint	-
Weight	approx. 4750 kg

Axis data

Motion range	
A1	±150 °
A2	-130 ° / 17.5 °
A3	-110 ° / 145 °
A4	±350 °
A5	±118 °
A6	±350 °
Speed with rated payload	
A1	58 °/s
A2	50 °/s
A3	50 °/s
A4	60 °/s
A5	60 °/s
A6	72 °/s

Operating conditions

Ambient temperature during operation	10 °C to 55 °C (283 K to 328 K)
--------------------------------------	---------------------------------

Protection rating

Protection rating (IEC 60529)	IP65
Protection rating, robot wrist (IEC 60529)	IP67

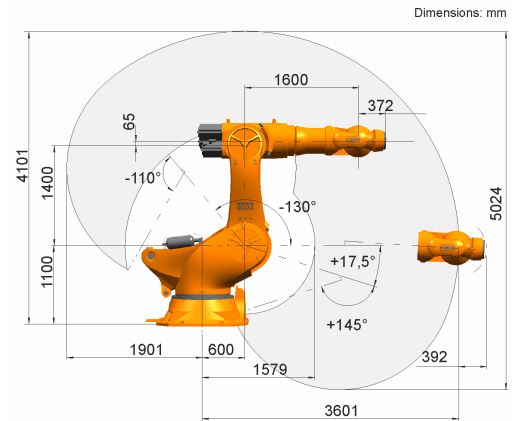
Controller

Controller	KR C4
------------	-------

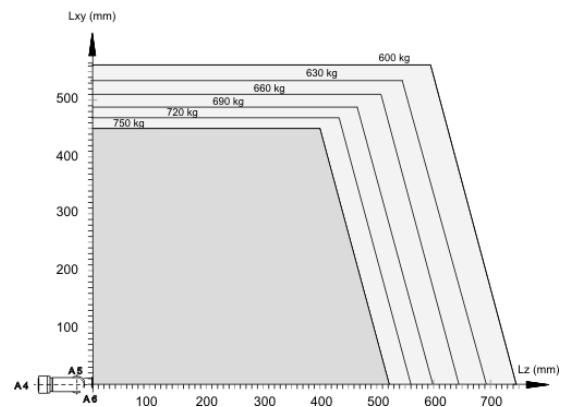
Teach pendant

Teach pendant	KUKA smartPAD
---------------	---------------

Workspace graphic



Payload diagram



The KR 1000 L750 titan F is designed for a rated payload of 750 kg in order to optimize the dynamic performance of the robot. With reduced load center distances, higher loads up to the maximum payload may be used. The specific load case must be verified using KUKA.Load. For further consultation, please contact KUKA Support.

Mounting flange

