



## KR 300 R2500 ultra C



### Technical data

|  |                     |
|--|---------------------|
| Maximum reach  | 2467 mm             |
| Rated payload  | 300 kg              |
| Rated supplementary load, rotating column / link arm / arm | 0 kg / 0 kg / 50 kg |
| Rated total load   | 350 kg              |
| Pose repeatability (ISO 9283)                              | ± 0.06 mm           |
| Number of axes   | 6                   |
| Mounting position  | Ceiling             |
| Footprint  | 830 mm x 830 mm     |
| Weight   | approx. 1120 kg     |

### Axis data

|                          |                |
|--------------------------|----------------|
| Motion range             |                |
| A1                       | ±185 °         |
| A2                       | -140 ° / -14 ° |
| A3                       | -120 ° / 155 ° |
| A4                       | ±350 °         |
| A5                       | ±122.5 °       |
| A6                       | ±350 °         |
| Speed with rated payload |                |
| A1                       | 105 °/s        |
| A2                       | 101 °/s        |
| A3                       | 107 °/s        |
| A4                       | 122 °/s        |
| A5                       | 113 °/s        |
| A6                       | 175 °/s        |

### Operating conditions

|                                      |                                 |
|--------------------------------------|---------------------------------|
| Ambient temperature during operation | 10 °C to 55 °C (283 K to 328 K) |
|--------------------------------------|---------------------------------|

### Protection rating

|  |      |
|--|------|
| Protection rating (IEC 60529)                | IP65 |
| Protection rating, in-line wrist (IEC 60529) | IP65 |

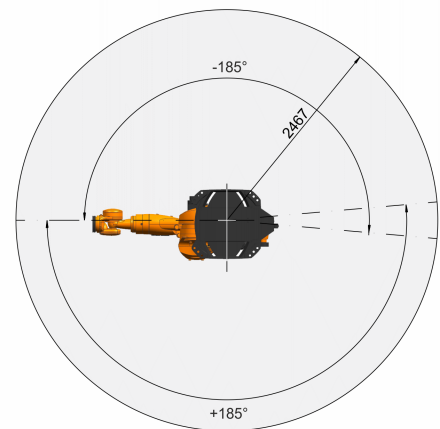
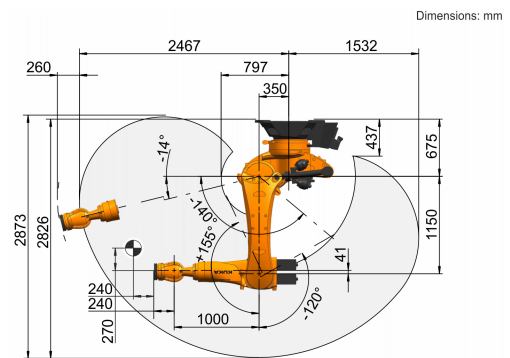
### Controller

|            |       |
|------------|-------|
| Controller | KR C4 |
|------------|-------|

### Teach pendant

|               |               |
|---------------|---------------|
| Teach pendant | KUKA smartPAD |
|---------------|---------------|

### Workspace graphic



### Mounting flange

