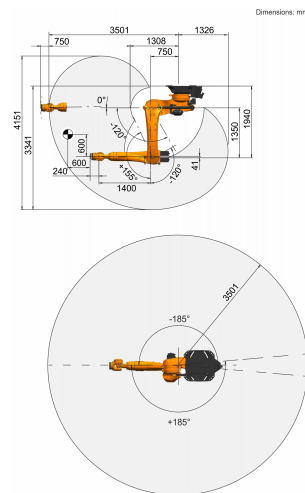


## KR 100 R3500 press C



### Workspace graphic



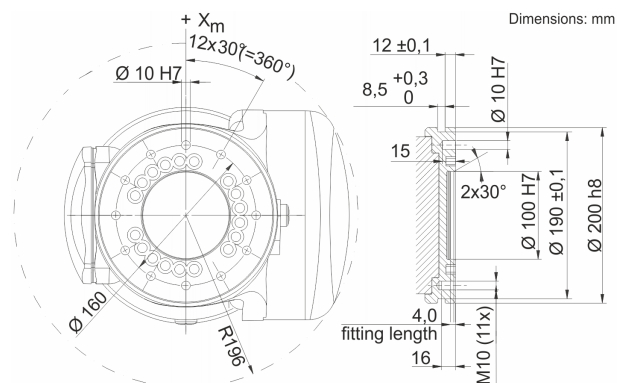
### Technical data

Maximum reach	3501 mm
Rated payload	100 kg
Rated supplementary load, rotating column / link arm / arm	0 kg / 0 kg / 50 kg
Rated total load	150 kg
Pose repeatability (ISO 9283)	± 0.06 mm
Number of axes	6
Mounting position	Ceiling
Footprint	-
Weight	approx. 1240 kg

### Axis data

Motion range	
A1	±185 °
A2	-120 ° / 0 °
A3	-120 ° / 155 °
A4	±350 °
A5	±122.5 °
A6	±350 °
Speed with rated payload	
A1	136 °/s
A2	137 °/s
A3	114 °/s
A4	136 °/s
A5	129 °/s
A6	206 °/s

### Mounting flange



### Operating conditions

Ambient temperature during operation: 10 °C to 55 °C (283 K to 328 K)

### Protection rating

Protection rating (IEC 60529)	IP65
Protection rating, robot wrist (IEC 60529)	IP65

### Controller

Controller	KR C4
------------	-------