



KR 120 R3200 PA



Technical data

| | |
|--|---------------------|
| Maximum reach | 3195 mm |
| Rated payload | 120 kg |
| Rated supplementary load, rotating column / link arm / arm | 0 kg / 0 kg / 50 kg |
| Rated total load | - |
| Pose repeatability (ISO 9283) | ± 0.06 mm |
| Number of axes | 5 |
| Mounting position | Floor |
| Footprint | 830 mm x 830 mm |
| Weight | approx. 1075 kg |

Axis data

| | |
|--------------------------|---------------|
| Motion range | |
| A1 | ±185 ° |
| A2 | -140 ° / -5 ° |
| A3 | 0 ° / 155 ° |
| A4 | - |
| A5 | - |
| A6 | ±350 ° |
| Speed with rated payload | |
| A1 | 124 °/s |
| A2 | 115 °/s |
| A3 | 112 °/s |
| A4 | - |
| A5 | 217 °/s |
| A6 | 242 °/s |

Operating conditions

Ambient temperature during operation 0 °C to 55 °C (273 K to 328 K)

Protection rating

| | |
|--|------|
| Protection rating (IEC 60529) | IP65 |
| Protection rating, in-line wrist (IEC 60529) | IP65 |

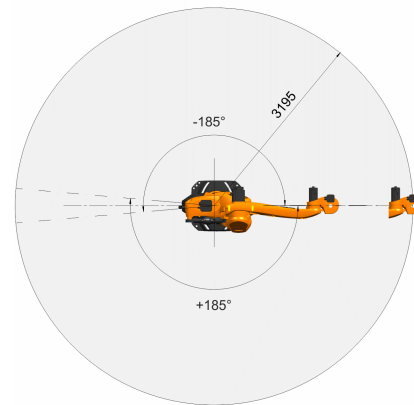
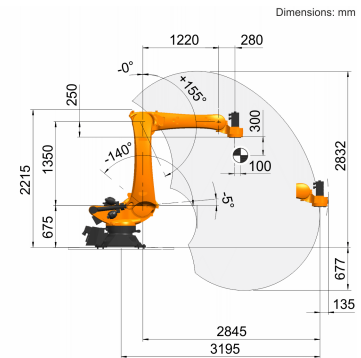
Controller

| | |
|------------|-------|
| Controller | KR C4 |
|------------|-------|

Teach pendant

| | |
|---------------|---------------|
| Teach pendant | KUKA smartPAD |
|---------------|---------------|

Workspace graphic



Mounting flange

