



## KR 180 R3200 PA



### Technical data

|  |                     |
|--|---------------------|
| Maximum reach  | 3195 mm             |
| Rated payload  | 180 kg              |
| Rated supplementary load, rotating column / link arm / arm | 0 kg / 0 kg / 50 kg |
| Rated total load   | -                   |
| Pose repeatability (ISO 9283)                              | ± 0.06 mm           |
| Number of axes   | 5                   |
| Mounting position  | Floor               |
| Footprint  | 830 mm x 830 mm     |
| Weight   | approx. 1093 kg     |

### Axis data

|                          |               |
|--------------------------|---------------|
| Motion range             |               |
| A1                       | ±185 °        |
| A2                       | -140 ° / -5 ° |
| A3                       | 0 ° / 155 °   |
| A4                       | -             |
| A5                       | -             |
| A6                       | ±350 °        |
| Speed with rated payload |               |
| A1                       | 105 °/s       |
| A2                       | 107 °/s       |
| A3                       | 114 °/s       |
| A4                       | -             |
| A5                       | 173 °/s       |
| A6                       | 242 °/s       |

### Operating conditions

Ambient temperature during operation 0 °C to 55 °C (273 K to 328 K)

### Protection rating

|  |      |
|--|------|
| Protection rating (IEC 60529)                | IP65 |
| Protection rating, in-line wrist (IEC 60529) | IP65 |

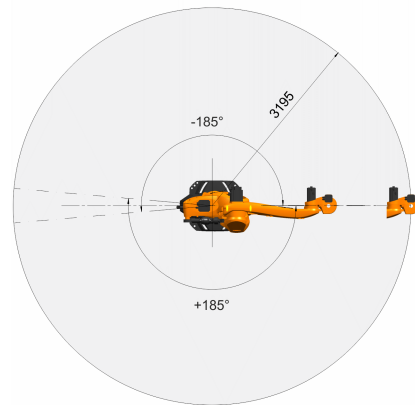
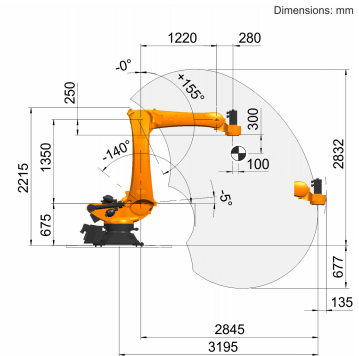
### Controller

|            |       |
|------------|-------|
| Controller | KR C4 |
|------------|-------|

### Teach pendant

|               |               |
|---------------|---------------|
| Teach pendant | KUKA smartPAD |
|---------------|---------------|

### Workspace graphic



### Mounting flange

