



KR 1000 1300 titan PA-F



Technical data

Maximum reach	3202 mm
Rated payload	1300 kg
Maximum payload	1300 kg
Maximum supplementary load, rotating column / link arm / arm	0 kg / 0 kg / 100 kg
Pose repeatability (ISO 9283)	± 0.1 mm
Number of axes	4
Mounting position	Floor
Footprint	-
Weight	approx. 4690 kg

Axis data

Motion range	
A1	±150 °
A2	-130 ° / 17.5 °
A3	62 ° / 145 °
A4	-
A5	±118 °
A6	±350 °
Speed with rated payload	
A1	58 °/s
A2	50 °/s
A3	50 °/s
A4	-
A5	60 °/s
A6	72 °/s

Operating conditions

Ambient temperature during operation	5 °C to 55 °C (278 K to 328 K)
--------------------------------------	--------------------------------

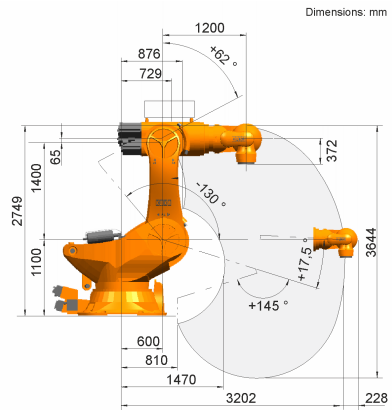
Protection rating

Protection rating (IEC 60529)	IP65
Protection rating, robot wrist (IEC 60529)	IP67

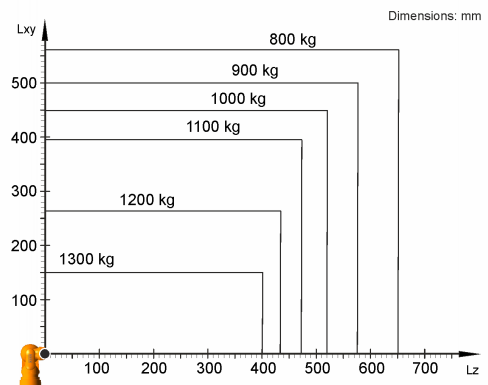
Controller

Controller	KR C4
------------	-------

Workspace graphic



Payload diagram



The KR 1000 1300 titan PA-F is designed for a rated payload of 1300 kg in order to optimize the dynamic performance of the robot. The maximum payload of 1300 kg applies only if the position of the center of mass is 0 mm and a supplementary load optimized for the load case is mounted. The specific load case must be verified using KUKA.Load or KUKA Compose. For further consultation, please contact KUKA Support.

Mounting flange

