



KR 120 R1800 nano



Technical data

Maximum reach	1803 mm
Rated payload	120 kg
Rated supplementary load, rotating column / link arm / arm	0 kg / 0 kg / 50 kg
Rated total load	170 kg
Pose repeatability (ISO 9283)	± 0.06 mm
Number of axes	6
Mounting position	Floor
Footprint	901 mm x 610 mm
Weight	approx. 684 kg

Axis data

Motion range	
A1	±180 °
A2	-145 ° / 45 °
A3	-130 ° / 150 °
A4	±350 °
A5	±125 °
A6	±350 °
Speed with rated payload	
A1	123 °/s
A2	114 °/s
A3	86 °/s
A4	292 °/s
A5	258 °/s
A6	284 °/s

Operating conditions

Ambient temperature during operation	10 °C to 55 °C (283 K to 328 K)
--------------------------------------	---------------------------------

Protection rating

Protection rating (IEC 60529)	IP65
Protection rating, in-line wrist (IEC 60529)	IP65

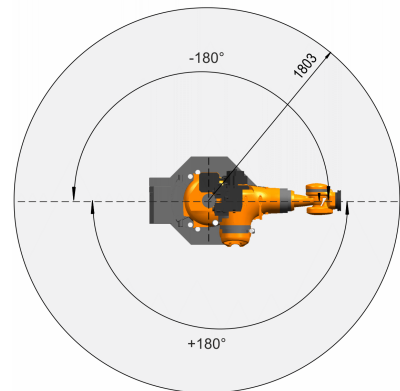
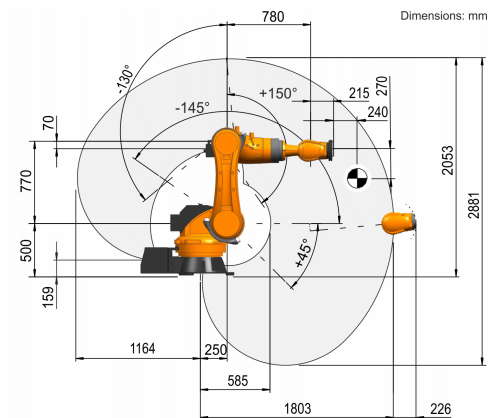
Controller

Controller	KR C4
------------	-------

Teach pendant

Teach pendant	KUKA smartPAD
---------------	---------------

Workspace graphic



Mounting flange

