



## KR 480 R3330 MT-F



### Technical data

Maximum reach	3326 mm
Maximum payload	568 kg
Rated payload	480 kg
Rated supplementary load, rotating column / link arm / arm	0 kg / 0 kg / 50 kg
Pose repeatability (ISO 9283)	± 0.08 mm
Number of axes	6
Mounting position	Floor
Footprint	1050 mm x 1050 mm
Weight	approx. 2475 kg

### Axis data

Motion range	
A1	±185 °
A2	-130 ° / 20 °
A3	-100 ° / 144 °
A4	±350 °
A5	±120 °
A6	±350 °
Speed with rated payload	
A1	45 °/s
A2	45 °/s
A3	45 °/s
A4	90 °/s
A5	83 °/s
A6	130 °/s

### Operating conditions

Ambient temperature during operation	10 °C to 55 °C (283 K to 328 K)
--------------------------------------	---------------------------------

### Protection rating

Protection rating (IEC 60529)	IP65
Protection rating, in-line wrist (IEC 60529)	IP67

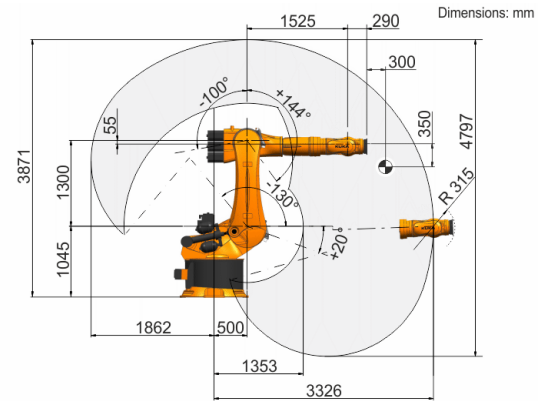
### Controller

Controller	KR C4
------------	-------

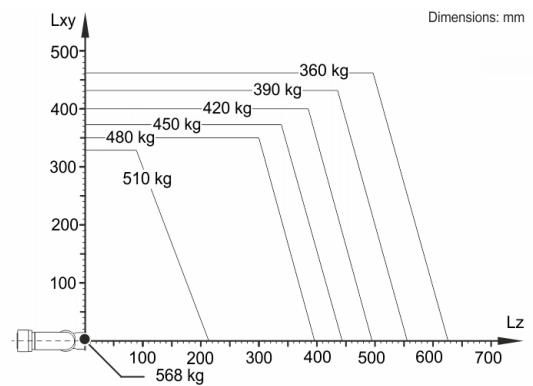
### Teach pendant

Teach pendant	KUKA smartPAD
---------------	---------------

### Workspace graphic



### Payload diagram



The KR 480 R3330 MT-F is designed for a rated payload of 480 kg in order to optimize the dynamic performance of the robot. With reduced load center distances, higher loads up to the maximum payload may be used. The specific load case must be verified using KUKA.Load. For further consultation, please contact KUKA Support.

### Mounting flange

