



KR 500 R2830 C-F



Technical data

| | |
|--------------------------------------------------------------|-------------------|
| Maximum reach | 2485 mm |
| Rated payload | 500 kg |
| Maximum payload | 611 kg |
| Maximum supplementary load, rotating column / link arm / arm | - |
| Pose repeatability (ISO 9283) | ± 0.08 mm |
| Number of axes | 6 |
| Mounting position | Ceiling |
| Footprint | 1050 mm x 1050 mm |
| Weight | approx. 2385 kg |

Axis data

| | |
|--------------------------|----------------|
| Motion range | |
| A1 | ±185 ° |
| A2 | -130 ° / 20 ° |
| A3 | -100 ° / 144 ° |
| A4 | ±350 ° |
| A5 | ±120 ° |
| A6 | ±350 ° |
| Speed with rated payload | |
| A1 | 90 °/s |
| A2 | 80 °/s |
| A3 | 75 °/s |
| A4 | 90 °/s |
| A5 | 83 °/s |
| A6 | 130 °/s |

Operating conditions

| | |
|--------------------------------------|---------------------------------|
| Ambient temperature during operation | 10 °C to 55 °C (283 K to 328 K) |
|--------------------------------------|---------------------------------|

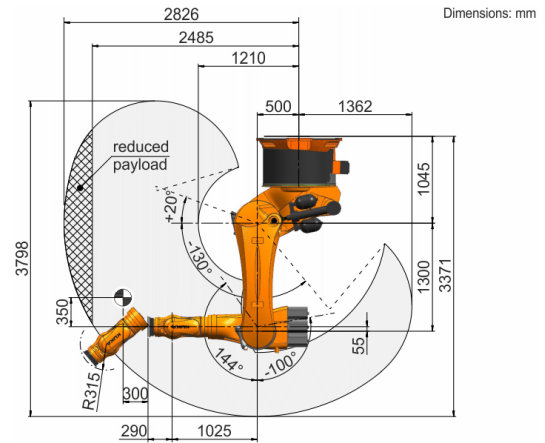
Protection rating

| | |
|--------------------------------------------|------|
| Protection rating (IEC 60529) | IP65 |
| Protection rating, robot wrist (IEC 60529) | IP67 |

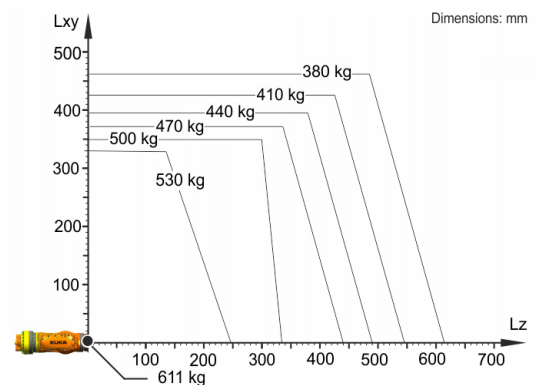
Controller

| | |
|------------|-----------------|
| Controller | KR C5; KR C4 |
|------------|-----------------|

Workspace graphic



Payload diagram



The KR 500 R2830 C-F is designed for a rated payload of 500 kg in order to optimize the dynamic performance of the robot. The maximum payload of 611 kg applies only if the position of the center of mass is 0 mm and a supplementary load optimized for the load case is mounted. The specific load case must be verified using KUKA.Load or KUKA Compose. For further consultation, please contact KUKA Support.

Mounting flange

