



KR 500 R2830 C-F



Technical data

| | |
|--|---------------------|
| Maximum reach | 2485 mm |
| Maximum payload | 611 kg |
| Rated payload | 500 kg |
| Rated supplementary load, rotating column / link arm / arm | 0 kg / 0 kg / 50 kg |
| Pose repeatability (ISO 9283) | ± 0.08 mm |
| Number of axes | 6 |
| Mounting position | Ceiling |
| Footprint | 1050 mm x 1050 mm |
| Weight | approx. 2385 kg |

Axis data

| | |
|--------------------------|----------------|
| Motion range | |
| A1 | ±185 ° |
| A2 | -130 ° / 20 ° |
| A3 | -100 ° / 144 ° |
| A4 | ±350 ° |
| A5 | ±120 ° |
| A6 | ±350 ° |
| Speed with rated payload | |
| A1 | 90 °/s |
| A2 | 80 °/s |
| A3 | 75 °/s |
| A4 | 90 °/s |
| A5 | 83 °/s |
| A6 | 130 °/s |

Operating conditions

Ambient temperature during operation 10 °C to 55 °C (283 K to 328 K)

Protection rating

| | |
|--|------|
| Protection rating (IEC 60529) | IP65 |
| Protection rating, in-line wrist (IEC 60529) | IP67 |

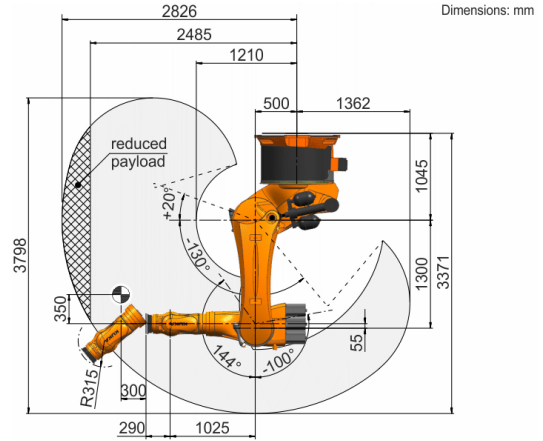
Controller

Controller KRC4

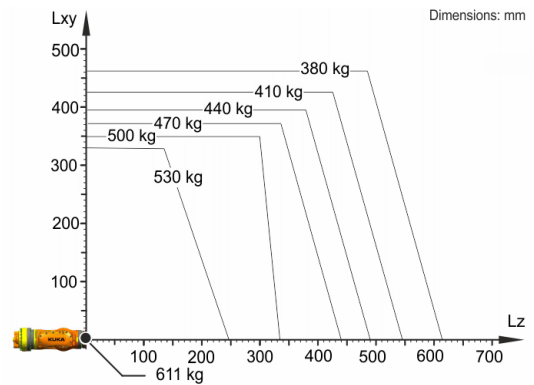
Teach pendant

Teach pendant KUKA smartPAD

Workspace graphic



Payload diagram



The KR 500 R2830 C-F is designed for a rated payload of 500 kg in order to optimize the dynamic performance of the robot. With reduced load center distances, higher loads up to the maximum payload may be used. The specific load case must be verified using KUKA.Load. For further consultation, please contact KUKA Support.

Mounting flange

