



KR 270 R3100 ultra K



Technical data

| | |
|------------------------------------------------------------|---------------------|
| Maximum reach | 3101 mm |
| Rated payload | 270 kg |
| Rated supplementary load, rotating column / link arm / arm | 0 kg / 0 kg / 50 kg |
| Rated total load | 320 kg |
| Pose repeatability (ISO 9283) | ± 0.06 mm |
| Number of axes | 6 |
| Mounting position | Floor |
| Footprint | 830 mm x 830 mm |
| Weight | approx. 1198 kg |

Axis data

| Motion range | |
|--------------------------|----------------|
| A1 | ±185 ° |
| A2 | -120 ° / 70 ° |
| A3 | -120 ° / 155 ° |
| A4 | ±350 ° |
| A5 | ±122.5 ° |
| A6 | ±350 ° |
| Speed with rated payload | |
| A1 | 105 °/s |
| A2 | 101 °/s |
| A3 | 107 °/s |
| A4 | 122 °/s |
| A5 | 113 °/s |
| A6 | 175 °/s |

Operating conditions

| | |
|--------------------------------------|---------------------------------|
| Ambient temperature during operation | 10 °C to 55 °C (283 K to 328 K) |
|--------------------------------------|---------------------------------|

Protection rating

| | |
|----------------------------------------------|------|
| Protection rating (IEC 60529) | IP65 |
| Protection rating, in-line wrist (IEC 60529) | IP65 |

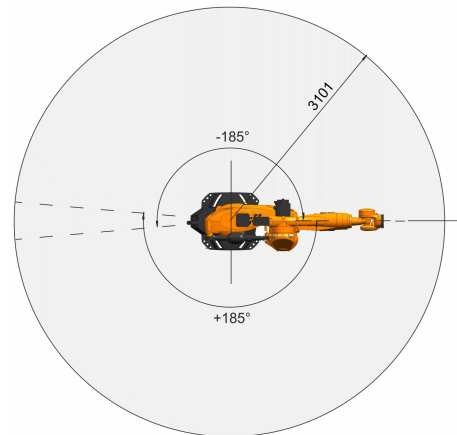
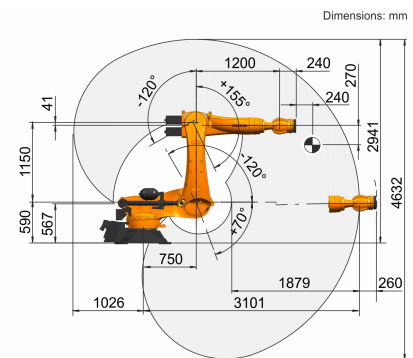
Controller

| | |
|------------|-------|
| Controller | KR C4 |
|------------|-------|

Teach pendant

| | |
|---------------|---------------|
| Teach pendant | KUKA smartPAD |
|---------------|---------------|

Workspace graphic



Mounting flange

