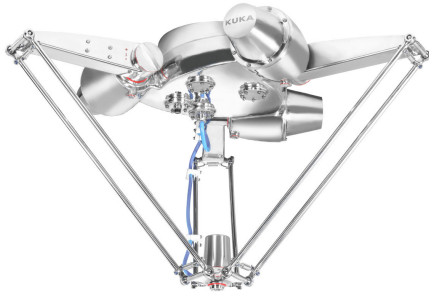




## KR 3 D1200 HM



### Technical data

Maximum reach	600 mm
Maximum diameter	1200 mm
Volume of working envelope	-
Maximum payload	6 kg
Rated payload	3 kg
Number of axes	4
Number of controlled axes	4
Pose repeatability (ISO 9283)	± 0.1 mm
Mounting position	Ceiling
Footprint	1500 mm x 1500 mm
Weight	approx. 95 kg
Default color	Stainless steel
Sound level	< 75 dB (A)

### Axis data

Motion range	
A1	-120 ° / 40 °
A2	-120 ° / 40 °
A3	-120 ° / 40 °
A4	±255 °
Speed with rated payload	
A1	168 °/s
A2	168 °/s
A3	168 °/s
A4	162 °/s

### Operating conditions

Ambient temperature during operation	0 °C to 45 °C (273 K to 318 K)
--------------------------------------	--------------------------------

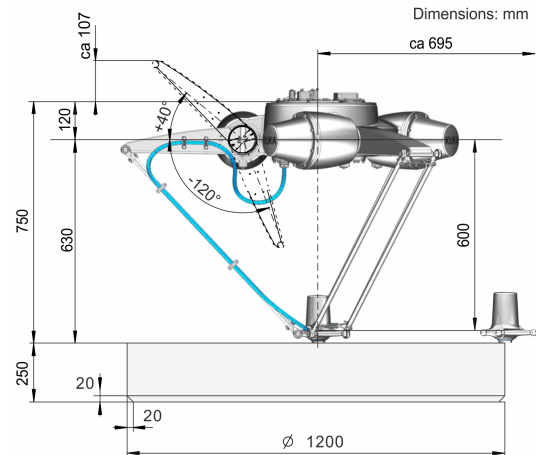
### Protection rating

Protection rating (IEC 60529)	IP67
Protection rating, robot wrist (IEC 60529)	IP69K

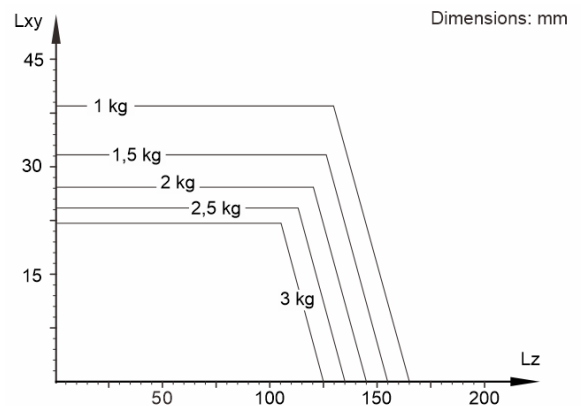
### Controller

Controller	KR C5 micro
------------	-------------

### Workspace graphic



### Payload diagram



The KR 3 D1200 HM is designed for a rated payload of 3 kg in order to optimize the dynamic performance of the robot. The maximum payload of 6 kg applies only if the position of the center of mass is 0 mm and a supplementary load optimized for the load case is mounted. The specific load case must be verified using KUKA.Load or KUKA Compose. For further consultation, please contact KUKA Support.

### Mounting flange

