



KR 16 R2010-2



Technical data

| | |
|--|--|
| Maximum reach | 2013 mm |
| Rated payload | 16 kg |
| Maximum payload | 19.2 kg |
| Maximum supplementary load, rotating column / link arm / arm | 20 kg / 15 kg / 15 kg |
| Pose repeatability (ISO 9283) | ± 0.04 mm |
| Number of axes | 6 |
| Mounting position | Floor; Ceiling; Wall; Desired angle |
| Footprint | 430.5 mm x 370 mm |
| Weight | approx. 260 kg |

Axis data

| | |
|--------------------------|----------------|
| Motion range | |
| A1 | ±185 ° |
| A2 | -185 ° / 65 ° |
| A3 | -138 ° / 175 ° |
| A4 | ±350 ° |
| A5 | ±130 ° |
| A6 | ±350 ° |
| Speed with rated payload | |
| A1 | 200 °/s |
| A2 | 175 °/s |
| A3 | 190 °/s |
| A4 | 430 °/s |
| A5 | 430 °/s |
| A6 | 630 °/s |

Operating conditions

| | |
|--------------------------------------|--------------------------------|
| Ambient temperature during operation | 5 °C to 55 °C (278 K to 328 K) |
|--------------------------------------|--------------------------------|

Protection rating

| | |
|--|------|
| Protection rating (IEC 60529) | IP65 |
| Protection rating, robot wrist (IEC 60529) | IP65 |

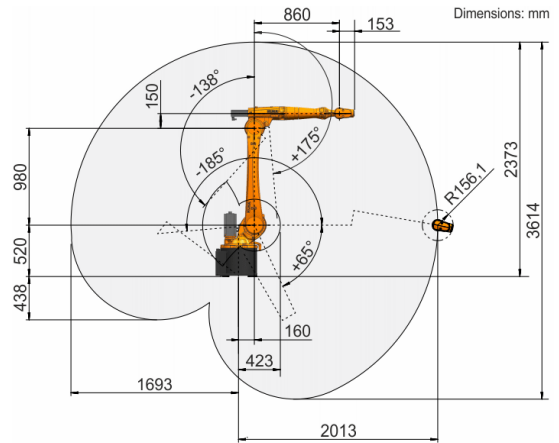
Controller

| | |
|------------|-----------------|
| Controller | KR C5; KR C4 |
|------------|-----------------|

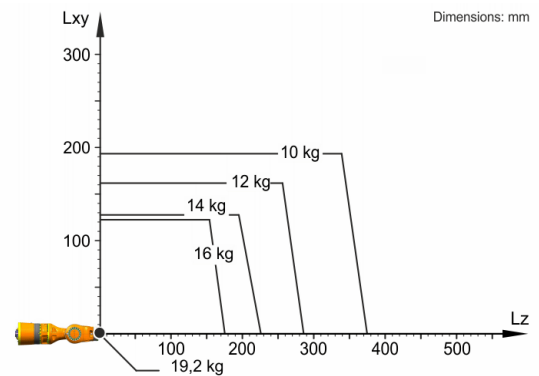
Certificates

| | |
|------------------|-------------------------------|
| ESD requirements | IEC61340-5-1; ANSI/ESD S20.20 |
|------------------|-------------------------------|

Workspace graphic



Payload diagram



The KR 16 R2010-2 is designed for a rated payload of 16 kg in order to optimize the dynamic performance of the robot. The maximum payload of 19.2 kg applies only if the position of the center of mass is 0 mm and a supplementary load optimized for the load case is mounted. The specific load case must be verified using KUKA.Load or KUKA Compose. For further consultation, please contact KUKA Support.

Mounting flange

