



## KR 150 R3100-2



### Technical data

Rated payload	150 kg
Maximum payload	215 kg
Rated supplementary load, base frame	0 kg
Maximum supplementary load, base frame	0 kg
Rated supplementary load, rotating column	0 kg
Maximum supplementary load, rotating column	300 kg
Rated supplementary load, link arm	0 kg
Maximum supplementary load, link arm	130 kg
Rated supplementary load, arm	50 kg
Maximum supplementary load, arm	150 kg

### Axis data

Motion range	
A1	±185 °
A2	-140 ° / -5 °
A3	-120 ° / 168 °
A4	±350 °
A5	±125 °
A6	±350 °
Speed with rated payload	
A1	105 °/s
A2	107 °/s
A3	114 °/s
A4	190 °/s
A5	180 °/s
A6	260 °/s

### Operating conditions

Ambient temperature during operation 0 °C to 55 °C (273 K to 328 K)

### Protection rating

Protection rating (IEC 60529)	IP65
Protection rating, in-line wrist (IEC 60529)	IP65 / IP67

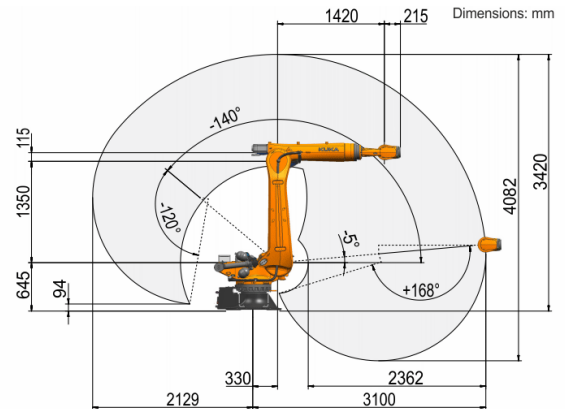
### Controller

Controller	KR C4
------------	-------

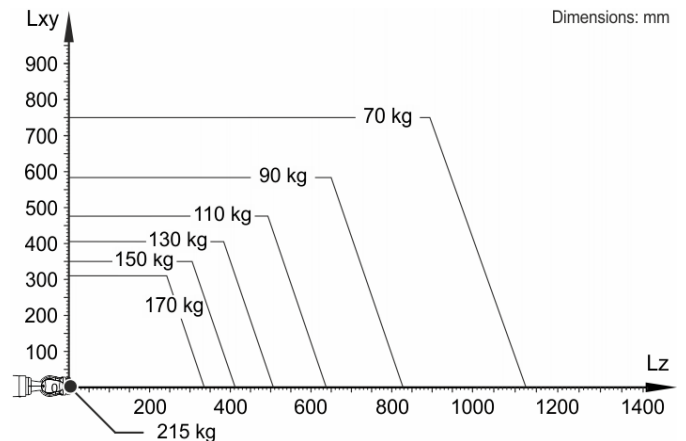
### Teach pendant

Teach pendant	KUKA smartPAD-2
---------------	-----------------

### Workspace graphic



### Payload diagram



### Mounting flange

