



## KR 120 R3100-2 F



### Technical data

Maximum reach	3100 mm
Maximum payload	210 kg
Rated payload	120 kg
Rated supplementary load, rotating column / link arm / arm	0 kg / 0 kg / 50 kg
Pose repeatability (ISO 9283)	± 0.05 mm
Number of axes	6
Mounting position	Floor
Footprint	754 mm x 754 mm
Weight	approx. 1105 kg

### Axis data

Motion range	
A1	±185 °
A2	-140 ° / -5 °
A3	-120 ° / 168 °
A4	±350 °
A5	±125 °
A6	±350 °
Speed with rated payload	
A1	120 °/s
A2	115 °/s
A3	120 °/s
A4	190 °/s
A5	180 °/s
A6	260 °/s

### Operating conditions

Ambient temperature during operation 0 °C to 55 °C (273 K to 328 K)

### Protection rating

Protection rating (IEC 60529)	IP65 / IP67
Protection rating, in-line wrist (IEC 60529)	IP65 / IP67

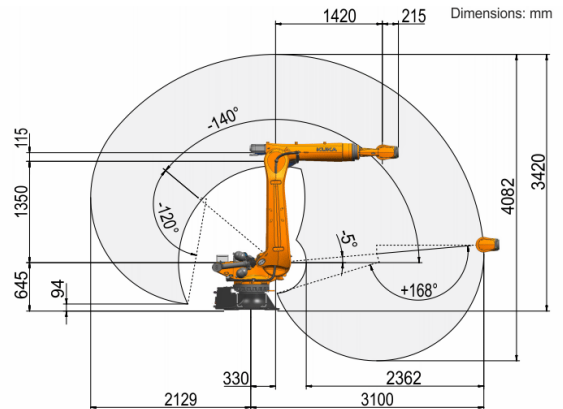
### Controller

Controller	KR C4
------------	-------

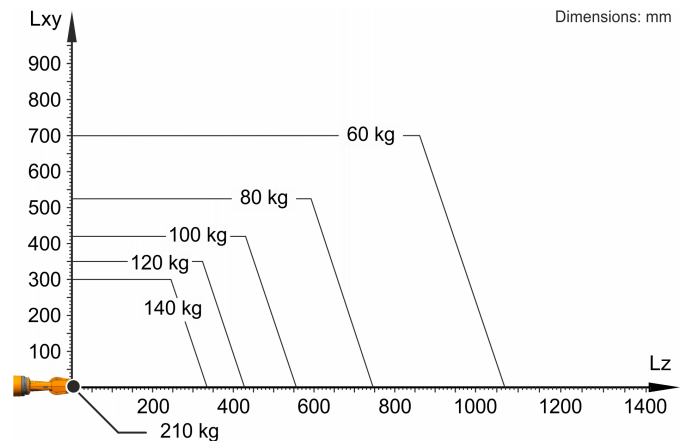
### Teach pendant

Teach pendant	KUKA smartPAD-2
---------------	-----------------

### Workspace graphic



### Payload diagram



The KR 120 R3100-2 F is designed for a rated payload of 120 kg in order to optimize the dynamic performance of the robot. With reduced load center distances, higher loads up to the maximum payload may be used. The specific load case must be verified using KUKA.Load. For further consultation, please contact KUKA Support.

### Mounting flange

