



## KR 270 R3100-2 K



### Technical data

Maximum reach	3105 mm
Rated payload	270 kg
Maximum payload	344 kg
Maximum supplementary load, rotating column / link arm / arm	-
Pose repeatability (ISO 9283)	± 0.05 mm
Number of axes	6
Mounting position	Floor
Footprint	754 mm x 754 mm
Weight	approx. 1260 kg

### Axis data

Motion range	
A1	±185 °
A2	-120 ° / 70 °
A3	-120 ° / 168 °
A4	±350 °
A5	±122.5 °
A6	±350 °
Speed with rated payload	
A1	105 °/s
A2	101 °/s
A3	110 °/s
A4	140 °/s
A5	113 °/s
A6	180 °/s

### Operating conditions

Ambient temperature during operation	0 °C to 55 °C (273 K to 328 K)
--------------------------------------	--------------------------------

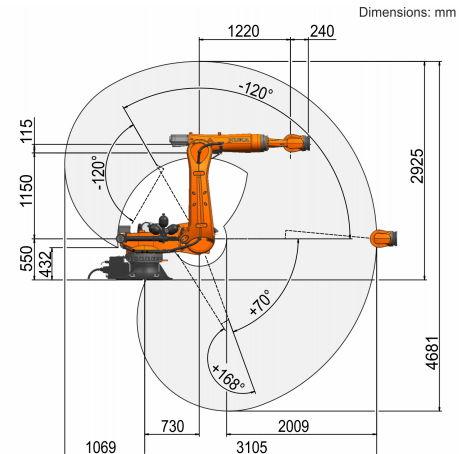
### Protection rating

Protection rating (IEC 60529)	IP65
Protection rating, robot wrist (IEC 60529)	IP65 / IP67

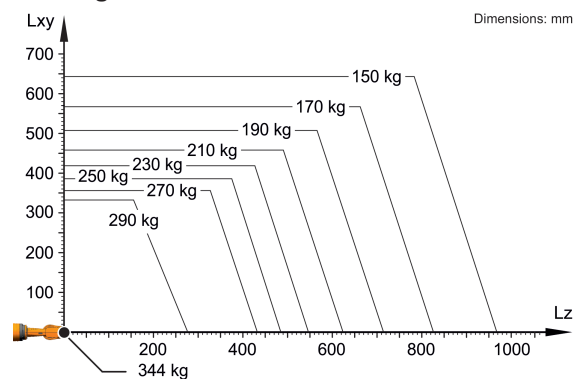
### Controller

Controller	KR C5; KR C4
------------	-----------------

### Workspace graphic



### Payload diagram



The KR 270 R3100-2 K is designed for a rated payload of 270 kg in order to optimize the dynamic performance of the robot. The maximum payload of 344 kg applies only if the position of the center of mass is 0 mm and a supplementary load optimized for the load case is mounted. The specific load case must be verified using KUKA.Load or KUKA Compose. For further consultation, please contact KUKA Support.

### Mounting flange

