



## KR 6 R1840-2



### Technical data

|  |  |
|--|--|
| Maximum reach  | 1840 mm                                      |
| Maximum payload  | 9 kg   |
| Rated payload  | 6 kg   |
| Rated supplementary load, rotating column / link arm / arm | 0 kg / 0 kg / 10 kg                          |
| Pose repeatability (ISO 9283)                              | ± 0.04 mm                                    |
| Number of axes   | 6  |
| Mounting position  | Floor;<br>Ceiling;<br>Wall;<br>Desired angle |
| Footprint  | 333.5 mm x 307 mm                            |
| Weight   | approx. 162 kg                               |

### Axis data

|                          |                |
|--------------------------|----------------|
| Motion range             |                |
| A1                       | ±170 °         |
| A2                       | -185 ° / 65 °  |
| A3                       | -137 ° / 163 ° |
| A4                       | ±185 °         |
| A5                       | ±120 °         |
| A6                       | ±350 °         |
| Speed with rated payload |                |
| A1                       | 220 °/s        |
| A2                       | 210 °/s        |
| A3                       | 270 °/s        |
| A4                       | 381 °/s        |
| A5                       | 311 °/s        |
| A6                       | 472 °/s        |

### Operating conditions

|                                      |                                |
|--------------------------------------|--------------------------------|
| Ambient temperature during operation | 0 °C to 55 °C (273 K to 328 K) |
|--------------------------------------|--------------------------------|

### Protection rating

|  |      |
|--|------|
| Protection rating (IEC 60529)              | IP65 |
| Protection rating, robot wrist (IEC 60529) | IP67 |

### Controller

|            |       |
|------------|-------|
| Controller | KR C5 |
|------------|-------|

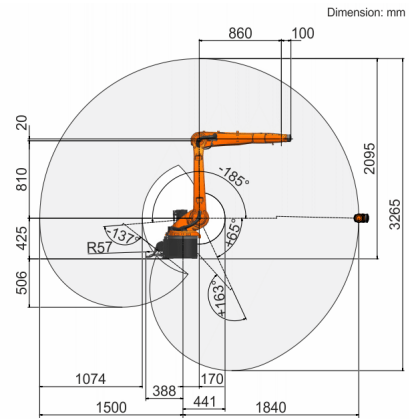
### Certificates

|                  |                               |
|------------------|-------------------------------|
| ESD requirements | IEC61340-5-1; ANSI/ESD S20.20 |
|------------------|-------------------------------|

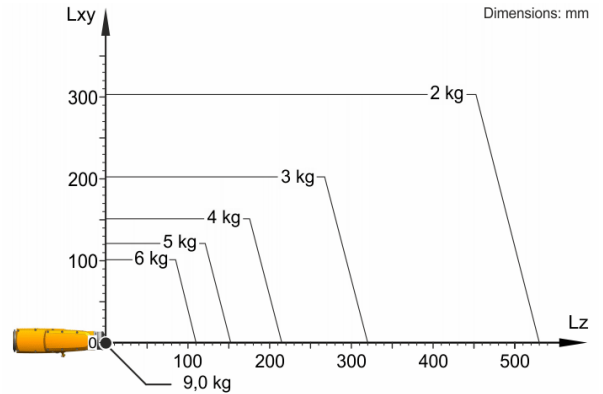
### Teach pendant

|               |                 |
|---------------|-----------------|
| Teach pendant | KUKA smartPAD-2 |
|---------------|-----------------|

### Workspace graphic



### Payload diagram



The KR 6 R1840-2 is designed for a rated payload of 6 kg in order to optimize the dynamic performance of the robot. With reduced load center distances, higher loads up to the maximum payload may be used. The specific load case must be verified using KUKA.Load. For further consultation, please contact KUKA Support.

### Mounting flange

