



KR 70 R2100 F



Technical data

Maximum reach	2101 mm
Rated payload	70 kg
Maximum payload	85 kg
Maximum supplementary load, rotating column / link arm / arm	-
Pose repeatability (ISO 9283)	± 0.05 mm
Number of axes	6
Mounting position	Floor; Ceiling; Wall; Desired angle
Footprint	603 mm x 480 mm
Weight	approx. 536 kg

Axis data

Motion range	
A1	±185 °
A2	-175 ° / 60 °
A3	-120 ° / 165 °
A4	±180 °
A5	±125 °
A6	±350 °
Speed with rated payload	
A1	180 °/s
A2	158 °/s
A3	160 °/s
A4	230 °/s
A5	230 °/s
A6	320 °/s

Operating conditions

Ambient temperature during operation	0 °C to 55 °C (273 K to 328 K)
--------------------------------------	--------------------------------

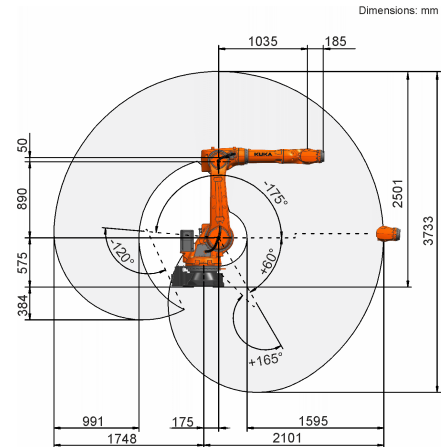
Protection rating

Protection rating (IEC 60529)	IP65 / IP67
Schutzart Arm (IEC 60529)	IP65 / IP67
Protection rating, robot wrist (IEC 60529)	IP65 / IP67

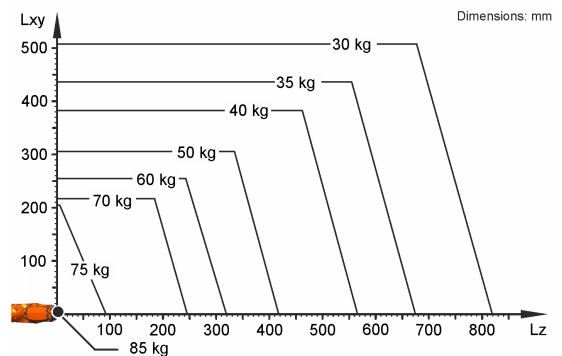
Controller

Controller	KR C5; KR C4
------------	-----------------

Workspace graphic



Payload diagram



The KR 70 R2100 F is designed for a rated payload of 70 kg in order to optimize the dynamic performance of the robot. The maximum payload of 85 kg applies only if the position of the center of mass is 0 mm and a supplementary load optimized for the load case is mounted. The specific load case must be verified using KUKA.Load or KUKA Compose. For further consultation, please contact KUKA Support.

Mounting flange

