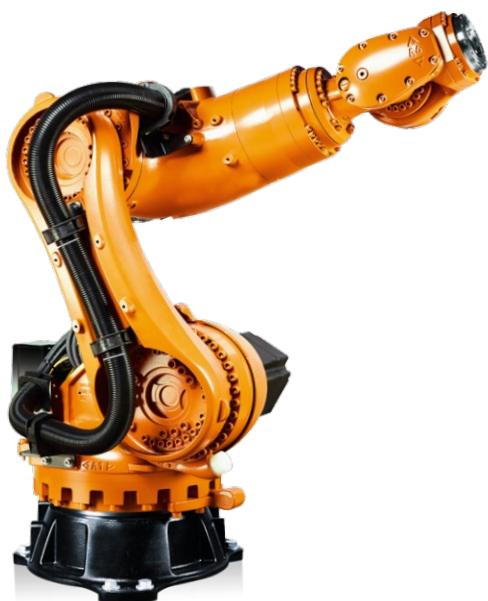
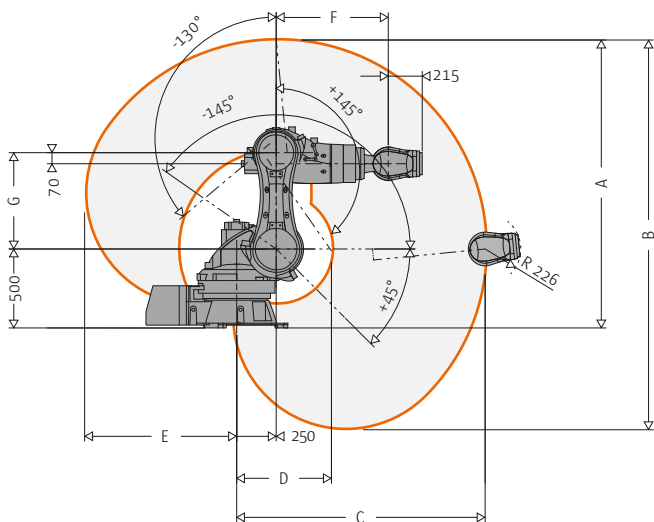


# KR QUANTEC nano

## KR 160 R1570 nano



Work envelope <sup>1)</sup>	Dimensions A	Dimensions B	Dimensions C	
KR 160 R1570 nano	1,823 mm	2,468 mm	1,573 mm	
Dimensions D	Dimensions E	Dimensions F	Dimensions G	Volume
600 mm	963 mm	710 mm	610 mm	13.5 m <sup>3</sup>



### KR 160 R1570 nano

Max. reach	1,573 mm
Rated payload	160 kg
Rated suppl. load, arm/link arm/rot. column	50 kg/-/-
Maximum rated payload	210 kg
Pose repeatability	±0.06 mm
Number of axes	6
Mounting position	Floor, ceiling
Variant	-
Robot footprint	901 mm x 610 mm
Weight (excluding controller), approx.	677 kg

Axis data/ Range of motion	Speed with rated payload 160 kg
Axis 1 (A1)	+/-180° 123°/s
Axis 2 (A2)	+45°/-145° 114°/s
Axis 3 (A3)	+145°/-130° 86°/s
Axis 4 (A4)	+/-350° 179°/s
Axis 5 (A5)	+/-120° 172°/s
Axis 6 (A6)	+/-350° 220°/s

### Operating conditions

Ambient temperature, robot +10 °C bis +55 °C

### Protection rating

Protection rating, robot IP 65  
Protection rating, in-line wrist IP 65



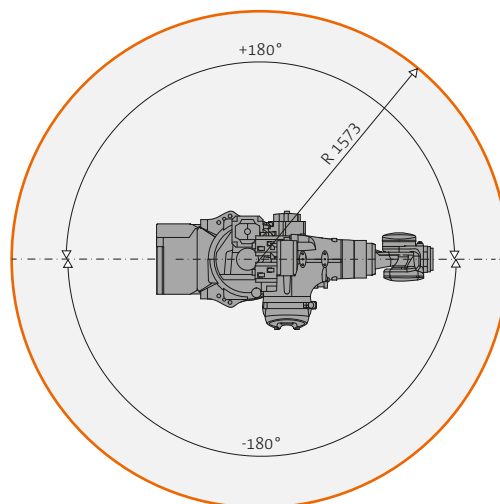
Controller

KR C4



Teach pendant

KUKA smartPAD



### KUKA Roboter GmbH

Hery-Park 3000, 86368 Gersthofen, Germany, Phone: +49 821 4533-0, www.kuka-robotics.com

Details provided about the properties and usability of the products are purely for information purposes and do not constitute a guarantee of these characteristics. The extent of goods delivered and services performed is determined by the subject matter of the specific contract. No liability accepted for errors or omissions.

<sup>1)</sup> Relative to intersection of axes 4/5

# KUKA