

Joining Solutions_ **KUKA flexibleCUBE arc C-DP 05** with rotary positioner DP-250 A



The **KUKA flexibleCUBE arc** is the standardized compact welding cell from KUKA Industries. With its modular design and wide range of automation options, the **KUKA flexibleCUBE arc** is the ideal partner for a dynamic manufacturing environment.

This cell variant is equipped with an automatic rotary positioner with a payload capacity of 250 kg per side. The working area is approx. 1,000 mm × 600 mm × 500 mm (W × D × H).

The rotary positioner can be fitted on each side with a work plate with a system pattern of Ø16 mm holes, with a spacing of 50 mm × 50 mm, enabling the use of a Demmeler-type clamping system. Simple clamping assemblies can be mounted reliably and quickly on the table.

The operator loads and unloads one side of the rotary positioner while the robot simultaneously carries out welding inside the cell. On completion of welding, the table is automatically turned in approx. 3 seconds once the operator has issued the enable signal and the welding operation has been completed. A light barrier safeguards the loading area and guarantees protection of the operator.

The loading/unloading parallel to the cycle time makes this cell variant suitable for higher production volumes of work pieces that do not need repositioning during the welding operation. The automatic rotation of the table enables simultaneous loading of multiple stations by a single operator. Typical areas of application include work pieces with seams that are accessible on one side

Scope of supply consists of

- Cell on base plate with two maintenance gates
- KUKA robot
- Robot controller KR C
- KUKA ArcTech welding software
- DP-250 A automatic rotary positioner
- Safeguarded loading area with light barrier
- Welding equipment with 350 A power rating
- Robotic wire feed with dress package
- Robotic welding torch with collision protection device
- KUKA KAC (KUKA Application Control) cell controller
- Central infeed point
- Human-machine interface

Joining Solutions_KUKA flexibleCUBE arc C-DP 05 with rotary positioner DP-250 A

Technical data

Rotary positioner DP-250 A

Rated payload (per side)	250 kg
Permissible tilting moment (per side)	2,500 Nm
Turning range (table)	0 to 178.5°
Turning time (table)	3 s

Main values of the cell

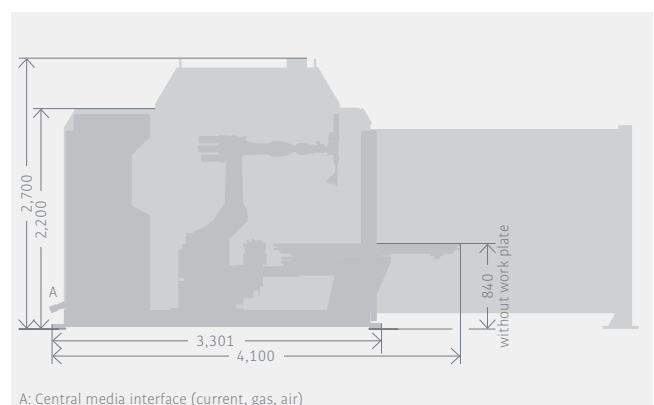
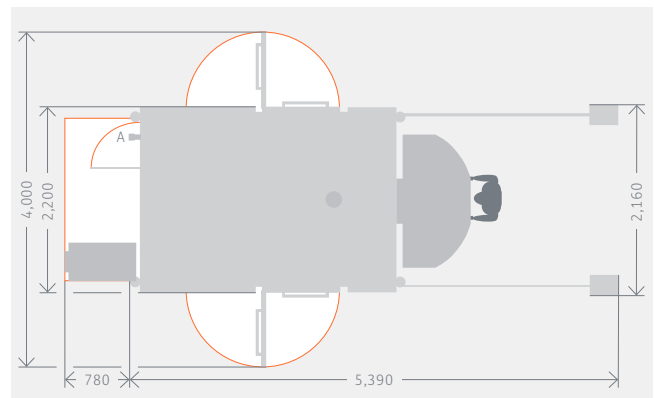
Power supply ratings (typical)	39 kVA
Noise generation	78 dB
Overall weight	~3,000 kg



Rotary positioner DP-250 A – work envelope

Optionen

- Welding equipment from various renowned manufacturers with power ratings of up to 500 A
- Aluminum welding
- TCP control station
- Touch Sense function
- Torch cleaning station
- Fume extraction with/without extraction unit
- Parameter control software
- Remote diagnostics
- Additional consumables interfaces on the positioner
- Work plate



A: Central media interface (current, gas, air)

Cell layout

For further information please contact us at
flexibleCUBE@kuka.com