



KR 1000 L750 titan



Technical data

| | |
|--|----------------------|
| Maximum reach | 3601 mm |
| Rated payload | 750 kg |
| Maximum payload | 750 kg |
| Maximum supplementary load, rotating column / link arm / arm | 0 kg / 0 kg / 100 kg |
| Pose repeatability (ISO 9283) | ± 0.1 mm |
| Number of axes | 6 |
| Mounting position | Floor |
| Footprint | 2000 mm x 2000 mm |
| Weight | approx. 4740 kg |

Axis data

| | |
|--------------------------|-----------------|
| Motion range | |
| A1 | ±150 ° |
| A2 | -130 ° / 17.5 ° |
| A3 | -110 ° / 145 ° |
| A4 | ±350 ° |
| A5 | ±118 ° |
| A6 | ±350 ° |
| Speed with rated payload | |
| A1 | 58 °/s |
| A2 | 50 °/s |
| A3 | 50 °/s |
| A4 | 60 °/s |
| A5 | 60 °/s |
| A6 | 72 °/s |

Operating conditions

| | |
|--------------------------------------|---------------------------------|
| Ambient temperature during operation | 10 °C to 55 °C (283 K to 328 K) |
|--------------------------------------|---------------------------------|

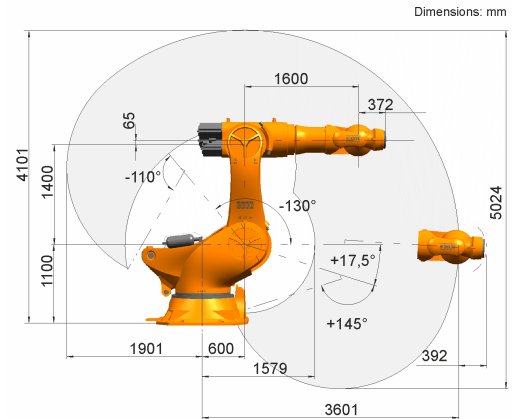
Protection rating

| | |
|--|------|
| Protection rating (IEC 60529) | IP65 |
| Protection rating, robot wrist (IEC 60529) | IP65 |

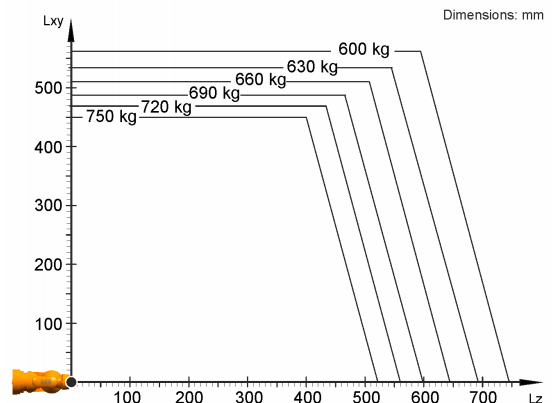
Controller

| | |
|------------|-----------------|
| Controller | KR C5; KR C4 |
|------------|-----------------|

Workspace graphic



Payload diagram



The KR 1000 L750 titan is designed for a rated payload of 750 kg in order to optimize the dynamic performance of the robot. With reduced load center distances and favorable supplementary loads, a maximum payload of up to 750 kg can be mounted. The specific KUKA Load case must be verified using KUKA. For further consultation, please contact KUKA Service.

Mounting flange

