



KR 20 R1810 CR



Technical data

| | |
|--|--|
| Maximum reach | 1813 mm |
| Rated payload | 20 kg |
| Maximum payload | 23.9 kg |
| Maximum supplementary load, rotating column / link arm / arm | 20 kg / 15 kg / 15 kg |
| Pose repeatability (ISO 9283) | ± 0.04 mm |
| Number of axes | 6 |
| Mounting position | Floor; Ceiling; Wall; Desired angle |
| Footprint | 430.5 mm x 370 mm |
| Weight | approx. 250 kg |

Axis data

| | |
|--------------------------|----------------|
| Motion range | |
| A1 | ±185 ° |
| A2 | -185 ° / 65 ° |
| A3 | -138 ° / 175 ° |
| A4 | ±350 ° |
| A5 | ±130 ° |
| A6 | ±350 ° |
| Speed with rated payload | |
| A1 | 200 °/s |
| A2 | 175 °/s |
| A3 | 190 °/s |
| A4 | 430 °/s |
| A5 | 430 °/s |
| A6 | 630 °/s |

Operating conditions

| | |
|--------------------------------------|--------------------------------|
| Ambient temperature during operation | 5 °C to 45 °C (278 K to 318 K) |
|--------------------------------------|--------------------------------|

Protection rating

| | |
|--|------|
| Protection rating (IEC 60529) | IP65 |
| Protection rating, robot wrist (IEC 60529) | IP65 |

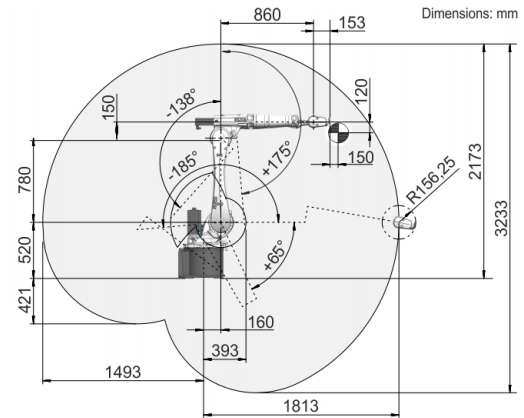
Controller

| | |
|------------|-----------------|
| Controller | KR C5; KR C4 |
|------------|-----------------|

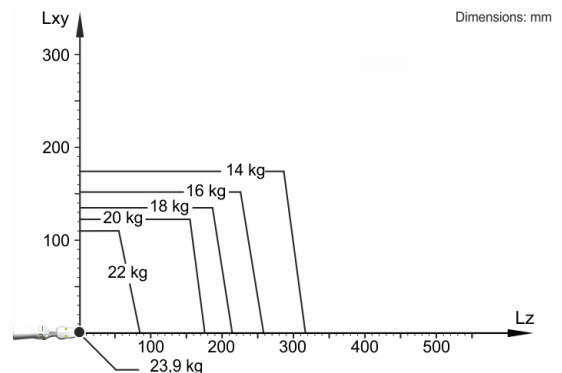
Certificates

| | |
|------------------|-------------------------------|
| ESD requirements | IEC61340-5-1; ANSI/ESD S20.20 |
|------------------|-------------------------------|

Workspace graphic



Payload diagram



The KR 20 R1810 CR is designed for a rated payload of 20 kg in order to optimize the dynamic performance of the robot. The maximum payload of 23.9 kg applies only if the position of the center of mass is 0 mm and a supplementary load optimized for the load case is mounted. The specific load case must be verified using KUKA.Load or KUKA Compose. For further consultation, please contact KUKA Support.

Mounting flange

