



LBR iiwa 7 R800 CR



Basic data

Kinematic type	Articulated robot
Cobot	Yes

Safety requirements	Category 3 and Performance Level d in accordance with EN ISO 13849-1
---------------------	--

Technical data

Maximum reach	800 mm
Rated payload	7 kg
Maximum payload	-
Pose repeatability (ISO 9283)	± 0.1 mm
Number of axes	7
Mounting position	Floor
Footprint	220 mm x 220 mm
Weight	approx. 26.1 kg

Axis data

Motion range	
A1	±170 °
A2	±120 °
A3	±170 °
A4	±120 °
A5	±170 °
A6	±120 °
Motion range, axis 7	
±175 °	
Speed with rated payload	
A1	98 °/s
A2	98 °/s
A3	100 °/s
A4	130 °/s
A5	140 °/s
A6	180 °/s
Axis velocity, axis 7	
180 °/s	

Operating conditions

Ambient temperature during operation	5 °C to 45 °C (278 K to 318 K)
--------------------------------------	--------------------------------

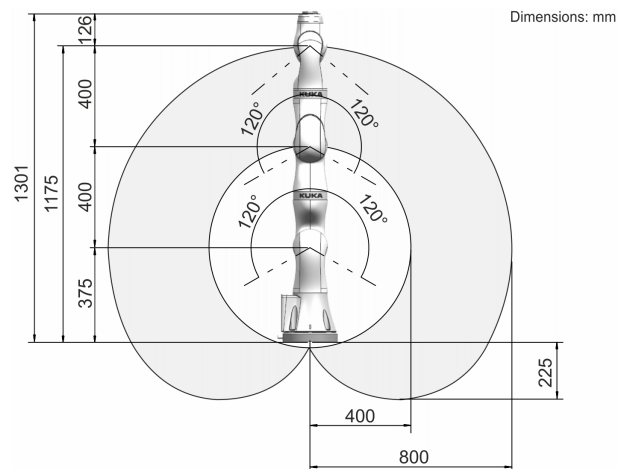
Protection rating

Protection rating (IEC 60529)	IP54
-------------------------------	------

Controller

Controller	KUKA Sunrise Cabinet
------------	----------------------

Workspace graphic



Payload diagram

