



KR 640 R2800-2



Technical data

| | |
|--|--------------------------|
| Maximum reach | 2800 mm |
| Rated payload | 640 kg |
| Maximum payload | 834 kg |
| Maximum supplementary load, rotating column / link arm / arm | 550 kg / 130 kg / 150 kg |
| Pose repeatability (ISO 9283) | ± 0.08 mm |
| Number of axes | 6 |
| Mounting position | Floor |
| Footprint | 968 mm x 944 mm |
| Weight | approx. 2170 kg |

Axis data

| | |
|--------------------------|----------------|
| Motion range | |
| A1 | ±185 ° |
| A2 | -130 ° / 20 ° |
| A3 | -100 ° / 165 ° |
| A4 | ±350 ° |
| A5 | ±120 ° |
| A6 | ±350 ° |
| Speed with rated payload | |
| A1 | 90 °/s |
| A2 | 80 °/s |
| A3 | 75 °/s |
| A4 | 90 °/s |
| A5 | 90 °/s |
| A6 | 130 °/s |

Operating conditions

| | |
|--------------------------------------|--------------------------------|
| Ambient temperature during operation | 0 °C to 55 °C (273 K to 328 K) |
|--------------------------------------|--------------------------------|

Protection rating

| | |
|--|-------------|
| Protection rating (IEC 60529) | IP65 |
| Protection rating, robot wrist (IEC 60529) | IP65 / IP67 |

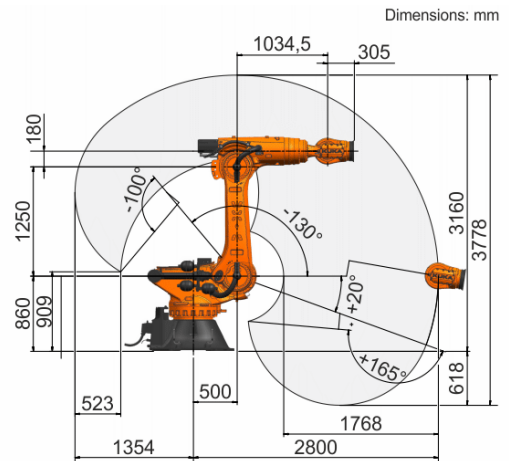
Controller

| | |
|------------|-------|
| Controller | KR C5 |
|------------|-------|

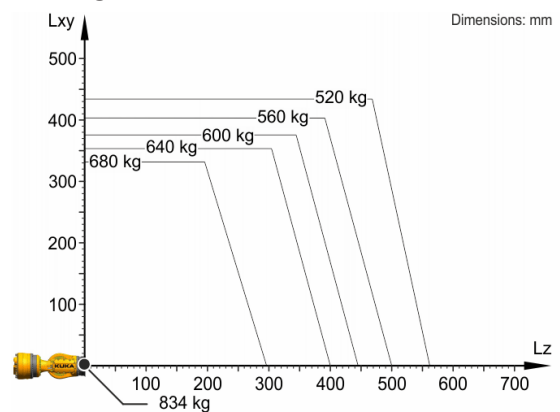
Certificates

| | |
|------------------|-------------------------------|
| ESD requirements | IEC61340-5-1; ANSI/ESD S20.20 |
|------------------|-------------------------------|

Workspace graphic



Payload diagram



The KR 640 R2800-2 is designed for a rated payload of 640 kg in order to optimize the dynamic performance of the robot. With reduced load center distances and favorable supplementary loads, a maximum payload of up to 834 kg can be mounted. The specific KUKA Load case must be verified using KUKA. For further consultation, please contact KUKA Service.

Mounting flange

