



KR 3 D1200



Technical data

Maximum reach	1200 mm
Maximum diameter	1200 mm
Volume of working envelope	0.387 m ³
Maximum payload	6 kg
Rated payload	3 kg
Number of axes	4
Number of controlled axes	4
Pose repeatability (ISO 9283)	± 0.05 mm
Mounting position	Ceiling
Footprint	Ø350 mm
Weight	approx. 105 kg
Default color	KUKA Industrial Orange (RAL 2009); Light gray (RAL 7035); Black (RAL 9005)
Sound level	< 75 dB (A)

Axis data

Motion range	
A1	-109 ° / 42 °
A2	-109 ° / 42 °
A3	-109 ° / 42 °
A4	±355 °
Speed with rated payload	
A1	600 °/s
A2	600 °/s
A3	600 °/s
A4	1091 °/s

Operating conditions

Ambient temperature during operation	0 °C to 45 °C (273 K to 318 K)
--------------------------------------	--------------------------------

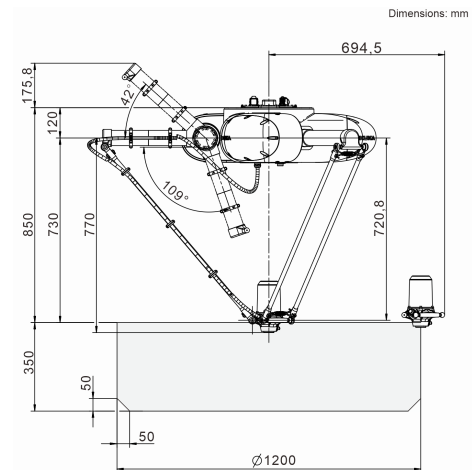
Protection rating

Protection rating (IEC 60529)	IP67
Protection rating, robot wrist (IEC 60529)	IP67

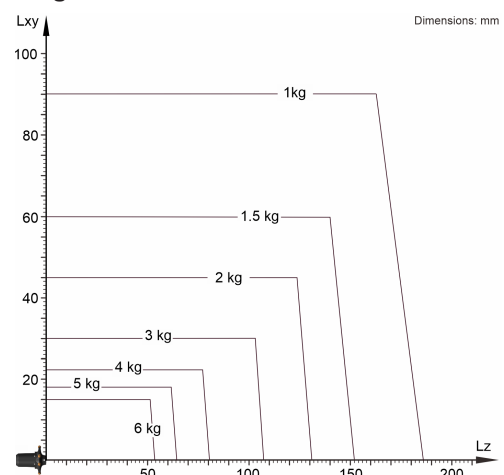
Controller

Controller	KR C5 micro
------------	-------------

Workspace graphic



Payload diagram



The KR 3 D1200 is designed for a rated payload of 3 kg in order to optimize the dynamic performance of the robot. With reduced load center distances and favorable supplementary loads, a maximum payload of up to 6 kg can be mounted. The specific KUKA Load case must be verified using KUKA. For further consultation, please contact KUKA Service.

Mounting flange

