



KR 20 R1820-2 E



Technical data

Maximum reach	1820 mm
Rated payload	20 kg
Maximum payload	23.9 kg
Maximum supplementary load, rotating column / link arm / arm	35 kg / 0 kg / 10 kg
Pose repeatability (ISO 9283)	± 0.04 mm
Number of axes	6
Mounting position	Floor; Ceiling; Wall; Desired angle
Footprint	430 mm x 370 mm
Weight	approx. 240 kg

Axis data

Motion range	
A1	±185 °
A2	-185 ° / 65 °
A3	-138 ° / 175 °
A4	±350 °
A5	±120 °
A6	±350 °
Speed with rated payload	
A1	195 °/s
A2	175 °/s
A3	180 °/s
A4	360 °/s
A5	360 °/s
A6	550 °/s

Operating conditions

Ambient temperature during operation	0 °C to 55 °C (273 K to 328 K)
--------------------------------------	--------------------------------

Protection rating

Protection rating (IEC 60529)	IP54
Protection rating, robot wrist (IEC 60529)	IP67

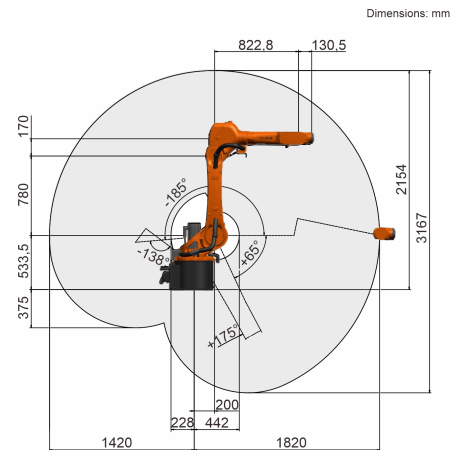
Controller

Controller	KR C5
------------	-------

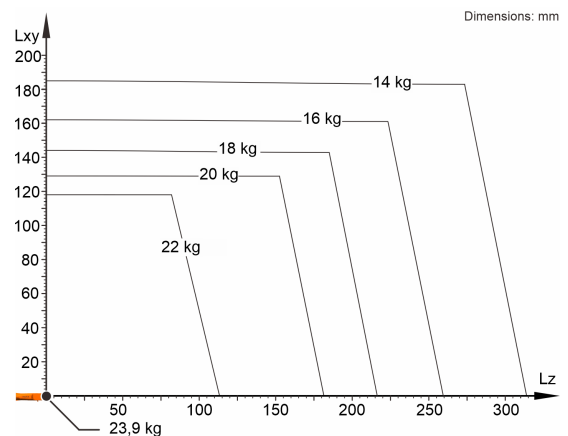
Certificates

Certificates	NRTL/CE/CR
--------------	------------

Workspace graphic



Payload diagram



The KR 20 R1820-2 E is designed for a rated payload of 20 kg in order to optimize the dynamic performance of the robot. With reduced load center distances and favorable supplementary loads, a maximum payload of up to 23.9 kg can be mounted. The specific KUKA Load case must be verified using KUKA. For further consultation, please contact KUKA Service.

Mounting flange

