



## KR 6 R700-2 EP



### Technical data

|                               |                             |
|-------------------------------|-----------------------------|
| Maximum reach                 | 726 mm                      |
| Maximum payload               | 6.8 kg                      |
| Pose repeatability (ISO 9283) | ± 0.02 mm                   |
| Number of axes                | 6                           |
| Mounting position             | Floor;<br>Ceiling;<br>Wall; |
|                               | Desired angle               |
| Footprint                     | 208 mm x 208 mm             |
| Weight                        | approx. 52 kg               |

### Axis data

|              |                |
|--------------|----------------|
| Motion range |                |
| A1           | ±170 °         |
| A2           | -190 ° / 45 °  |
| A3           | -120 ° / 156 ° |
| A4           | ±185 °         |
| A5           | ±120 °         |
| A6           | ±350 °         |

### Operating conditions

|                                      |                                |
|--------------------------------------|--------------------------------|
| Ambient temperature during operation | 0 °C to 45 °C (273 K to 318 K) |
|--------------------------------------|--------------------------------|

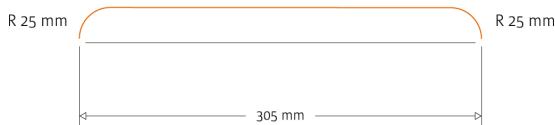
### Protection rating

|  |             |
|--|-------------|
| Protection rating (IEC 60529)              | IP65 / IP67 |
| Protection rating, robot wrist (IEC 60529) | IP65 / IP67 |

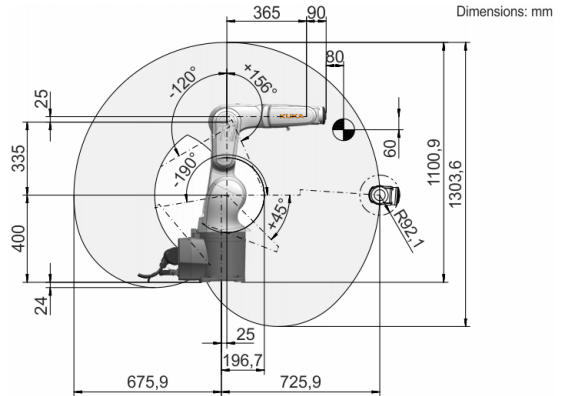
### Controller

|            |                               |
|------------|-------------------------------|
| Controller | KR C5 micro-2;<br>KR C5 micro |
|------------|-------------------------------|

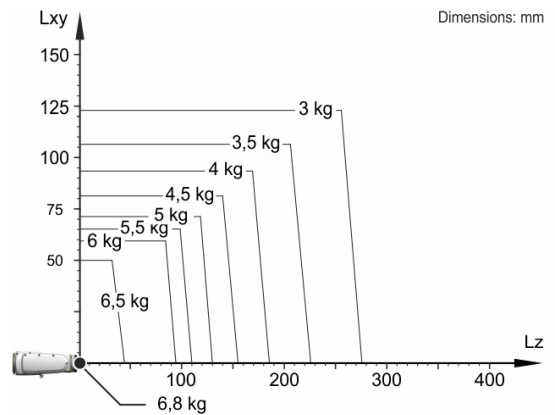
### Cycle time



### Workspace graphic



### Payload diagram



The KR 6 R700-2 EP is designed for a rated payload of 6 kg in order to optimize the dynamic performance of the robot. With reduced load center distances and favorable supplementary loads, a maximum payload of up to 6.8 kg can be mounted. The specific KUKA Load case must be verified using KUKA. For further consultation, please contact KUKA Service.

### Mounting flange

