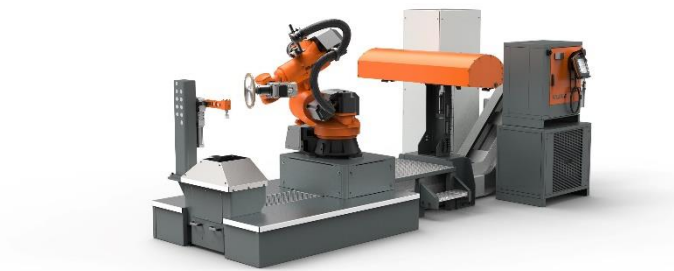




The solution for economic premachining KUKA cell4_premachining compact with 1-axis positioner KP1



With versatile, modular standard packages and automation options, KUKA standard cells can be configured for customized solutions in the range of premachining systems for customers.

The KUKA CELL4_premachining combines performance and quality with high flexibility to comply with your requirements in every respect. This flexibility allows the use in the most different areas. Typical applications are sawing, milling, cleaning and grinding work at different materials

The strength of this robot is its compact design.

The applied KR QUANTEC nano is optimized and designed for this application task. Due to the compact design of all movable axis lengths, only little torques are induced in the bearings.

Besides this, the components to be processed are optimally aligned towards the processing tool by means of the rotary module. The component will always be machined in a rigid and reproducible position. So the robot-typical features for processing tasks are combined with rigid kinematics.

The system is equipped with a powerful and compact motor spindle.

To permit a flexible processing, the tools can be changed fully automatically using a changer. Each place is sensor controlled. The tools are protected by a pneumatically closing cover.

Software package

In addition, the robot cells are equipped with a perfectly matched technology and software package form the KUKA product portfolio. Thus, an optimal coordination of robot, positioner, and spindle can be guaranteed.

Manual loading by the worker or lifting tool is possible. Alternatively, loading by means of robot is possible.



Ideally matched for your requirements KUKA processing cells

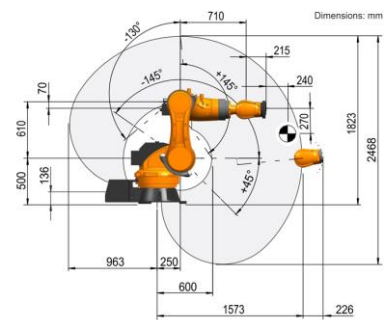
Scope of supply

- 1 pcs. KUKA robot KR 160 1570,
 - incl. robot control KR C4
 - KUKA Milling application software
- 1-axis positioner KP1-V
- Powerful motor spindle
- Robot protective cover axis 1-2/3

Basic Configuration - Technical Data:

Cell standard	KUKA Cell4_premachining KP 1 single KR
Robot	1x KR 160 R1570
Control	KR C4
Positioner	KP1
Payload	1.000 kg
Face plate diameter	500 mm
Positioning repeatability	< ± 0.08 mm
Media supply (air, mass, field bus, hydraulics)	
TCP control unit	mechanical, manual
Milling spindle	18.0 kW S1 und 20 kW S2 HSK 63 E up to 24.0000 U/min Converter 37.0 kW
Tool changer (option)	13-fold
Clamping arm (option)	
5 possible clamping points raster dimension	75 mm
Holding force:	5950 N
Opening angle:	90°

Work envelope , KR 160 R1570



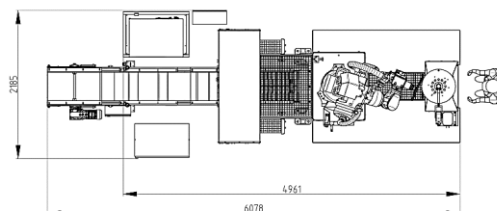
Tool change unit:



Options

- Scrap conveyor instead of chip box
- Clamping arm
- Tool changer

Positioner, clamping arm, and chip box



For further information please contact us under casting.industries.de@kuka.com

Statements on quality and usability of the products are no warranty of properties, but are for information only. The respective Contractual Goods are relevant for the scope of our supply and services. The pictures partly include optional equipment that does not belong to the standard scope of delivery. Technical Data and illustrations are not binding for the delivery. Subject to change without notice.