



## The solution for economic premachining

### KUKA cell4\_premachining modular with 3-axes positioner KP3-V2V-3



With versatile, modular standard packages and automation options, KUKA standard cells can be configured for customized solutions in the range of premachining systems for customers.

The KUKA cell4\_premachining combines performance and quality with high flexibility to comply with your requirements in every respect. This flexibility allows the use in the most different areas. Typical applications are sawing, milling, cleaning and grinding work at different materials

#### **The strength of this robot is its compact design.**

The applied KR QUANTEC nano is optimized and designed for this application task. Due to the compact design of all movable axis lengths, only little torques are induced in the bearings.

Besides this, the components to be processed are optimally aligned towards the processing tool by means of the rotary module. The component will always be machined in a rigid and reproducible position. So the

robot-typical features for processing tasks are combined with rigid kinematics.

The system is equipped with a powerful and compact motor spindle.

To permit a flexible processing, the tools can be changed fully automatically using a changer. Each place is sensor controlled. The tools are protected by a pneumatically closing cover.

#### **Software package**

In addition, the robot cells are equipped with a perfectly matched technology and software package form the KUKA product portfolio. Thus, an optimal coordination of robot, positioner, and spindle can be guaranteed.

The loading area is monitored with a light curtain. Cycle-time neutral loading and unloading allows full use of the processing capacity of the robot.

Alternatively, loading by means of robot is possible.

## Ideally matched for your function requirements KUKA processing cells

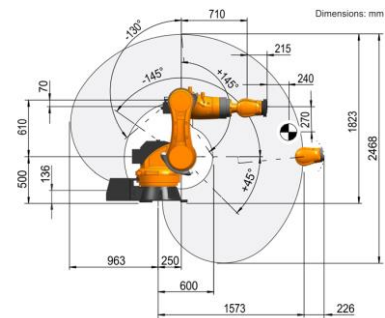
### Scope of supply

- 1 pcs. KUKA robot KR 160 R1570,
  - incl. robot control KR C4
  - KUKA Milling application software
- 3-axes positioner KP3-V2V-3
- Sound insulating cabin with 2 windows and two Maintenance doors
- Loading area, secured by light barrier + laser scanner
- Powerful motor spindle
- 13-fold tool changer
- Robot protective cover axis 1-2/3

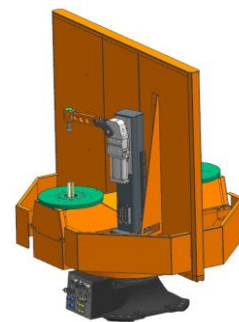
### Basic Configuration - Technical Data:

|   |   |                   |
|---|---|-------------------|
| Cell standard                                   | KUKA Cell4_premachining modular KP3-V2V single KR |                   |
| Robot   | 1x KR 160 R1570                                   |                   |
| Control   | KR C4   |                   |
| Positioner                                      | KP3-V2V-3   |                   |
| Payload   | 2 x 1,000 kg                                      |                   |
| Turning time                                    | 3,9 s / 180°                                      |                   |
| Face plate diameter                             | 500 mm  |                   |
| Face plate distance D                           | 1.000 mm  |                   |
| Media supply (air, mass, field bus, hydraulics) |   |                   |
| Loading area                                    | light barrier + laser scanner                     |                   |
| Milling spindle                                 | 18.0 kW S1 und 20 kW S2 HSK 63 E                  | Converter 37.0 kW |
|   | up to 24.000 U/min                                |                   |
| Tool changer                                    | 13-fold   |                   |
| Clamping arm 2-fold (option)                    |   |                   |
| 5-fold height adjusting possibilities / step    | 75 mm   |                   |
| Retention force                                 | 5950 N  |                   |
| Opening angle                                   | 90 °  |                   |

### Work envelope , KR 160 R1570

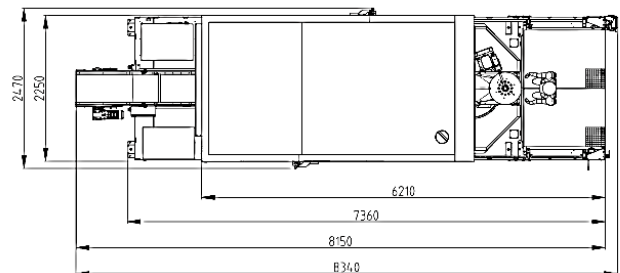


### 3-axes positioner KP3-V2V-3



### Options

- Scrap conveyor instead of chip box
- Clamping arm



For further information please contact us under [casting.industries.c](http://casting.industries.c)

Statements on quality and usability of the products are no warranty of properties, but are for information only. The respective Contractual Goods are relevant for the scope of our supply and services. The pictures partly include optional equipment that does not belong to the standard scope of delivery. Technical Data and illustrations are not binding for the delivery. Subject to change without notice.