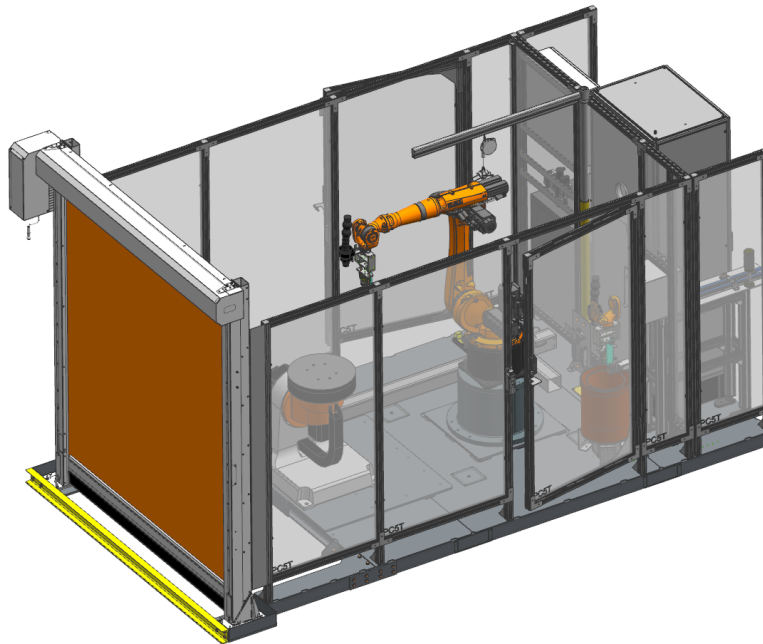




The compact entry-level solution for cleaner and primer applications

**KUKA cell4\_cleaner/primer with automatic 2-axes positioner DKP 400**



With versatile, modular standard packages and automation options, KUKA standard cells can be configured for customized solutions in the range of cleaning and priming for customers.

This very compact cell version is delivered on a base frame and can be completely transported with forklift and truck and is therefore extremely flexible in use.

The automated cleaner/primer cell consists of a standard package with a KUKA robot, an automatic rotary/tilting table, a cleaner or primer dosing equipment including a felt supply and felt gripper, and a protective fence for safeguarding against unauthorized access. A modern cell control secures all relevant functions.

In addition, technology and software packages perfectly matched for the robot cells are available from the KUKA product portfolio which allow an easy integration of dosing control and programming of the cleaner and primer application.

The used automatic rotary/tilting table is equipped with a turning plate for connection of a component fixture provided by the customer.

The cell can be used for cleaner or primer applications.

#### Scope of supply

##### Cell for application of cleaner or primer, with:

- 1 KUKA Robot KR 20 R1810-2 CYBERTECH, incl.
  - Robot control KR C4
  - KUKA Operation Basic application software
- Rotary/tilting table DKP400
- Dosing cabinet
- Dosing control
- Felt preparation
- Felt gripper incl. media supply
- Waste bin
- KUKA operating terminal (push buttons)

Statements on quality and usability of the products are no warranty of properties but are for information only. The respective Contractual Goods are relevant for the scope of our supply and services.

The pictures partly include optional equipment that does not belong to the standard scope of delivery.

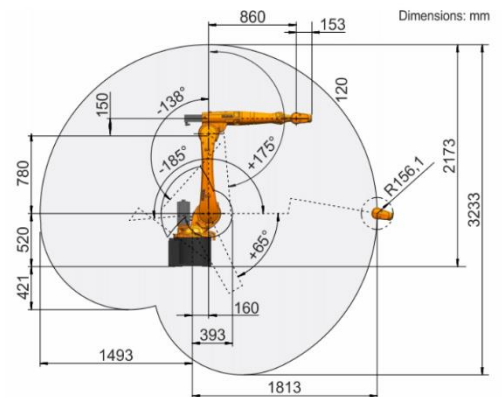
Technical Data and illustrations are not binding for the delivery. Subject to change without notice.

## Ideally matched for your function requirements KUKA Cleaner/Primer Cell

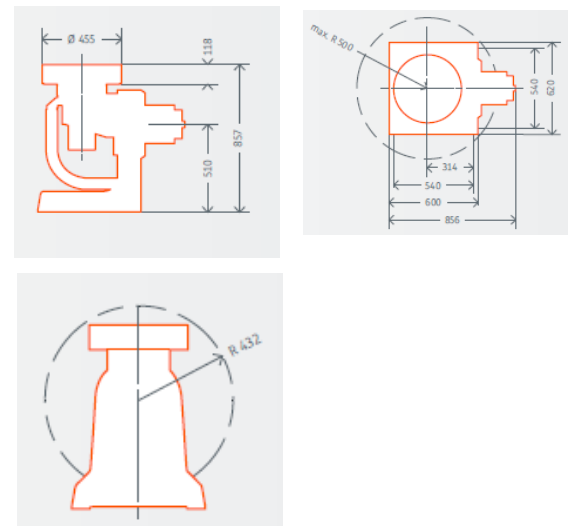
### Basic Configuration - Technical Data:

Cell type	KUKA cell4_cleaner/primer single KR with two maintenance doors (swiveling doors)
Robot	1x KR CYBERTECH KR 20 R1810-2
Control	KR C4
Positioner	DKP 400
- Nominal payload	400 kg
- Face plate diameter	Ø 455 mm
- Insertion height	approx. 1000 mm
- Media supply	(air, ProfiNet)
Dosing equipment	diaphragm pump
Felt gripper	single incl. compensation
Felt supply	2-lane, length 1000 mm
Felt dimension	width 8 to 16 mm height 10 to 20 mm
Felt length (cutting length)	25 to 35 mm
Exhaust connector	prepared for customer's exhaust system
Waste bin incl. exhaust connector	for felt disposal
Felt monitoring:	Felt available Medium available

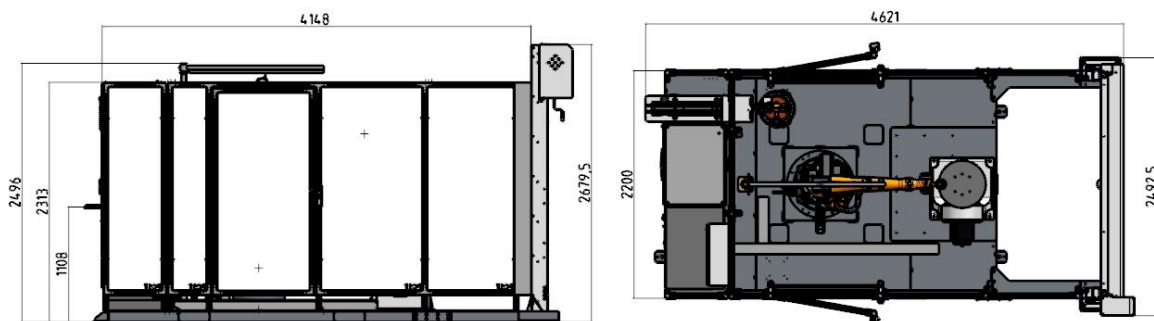
Work envelope, KR 20 R1810 -2



Rotary/tilting table DKP 400



### Cell Layout:



For further information please contact us under [info@kuka.com](mailto:info@kuka.com)

Statements on quality and usability of the products are no warranty of properties but are for information only. The respective Contractual Goods are relevant for the scope of our supply and services. The pictures partly include optional equipment that does not belong to the standard scope of delivery. Technical Data and illustrations are not binding for the delivery. Subject to change without notice.