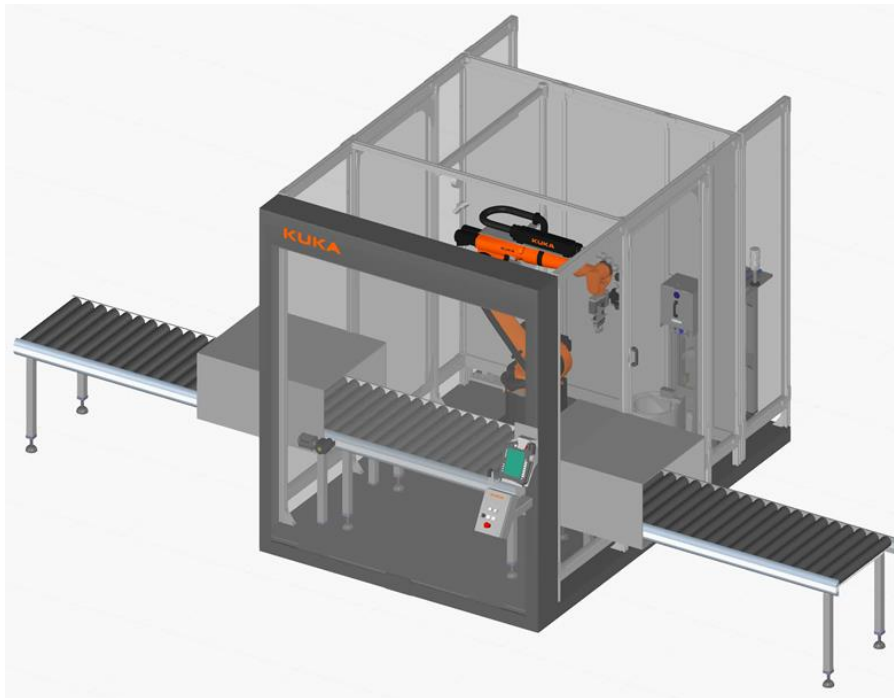




The compact entry-level solution for cleaner and primer applications

KUKA cell4_cleaner/primer with preparation for supply via conveyor belt



With versatile, modular standard packages and automation options, KUKA standard cells can be configured for customized solutions in the range of cleaning and priming for customers.

This very compact cell version is delivered on a base frame and can be completely transported with forklift and truck and is therefore extremely flexible in use.

The automated cleaner/primer cell consists of a standard package with a KUKA robot, a cleaner or primer dosing equipment including a felt supply and felt gripper, and a protective fence for safeguarding against unauthorized access. A modern cell control secures all relevant functions.

In addition, technology and software packages perfectly matched for the robot cells are available from the KUKA product portfolio which allow an easy integration of

dosing control and programming of the cleaner and primer application.

Customer's integration of conveyor systems provided by the customer, e.g. conveyor belt, is possible.

Scope of supply

Cell for application of cleaner or primer, with:

- 1 KUKA Robot KR 20 R1810-2 CYBERTECH, incl.
 - Robot control KR C4
 - KUKA Operation Basic application software
- Dosing cabinet
- Dosing control
- Felt preparation
- Felt gripper incl. media supply
- Waste bin
- Prepared for supply via conveyor belt
- KUKA operating terminal (push buttons)

Statements on quality and usability of the products are no warranty of properties but are for information only. The respective Contractual Goods are relevant for the scope of our supply and services.

The pictures partly include optional equipment that does not belong to the standard scope of delivery.

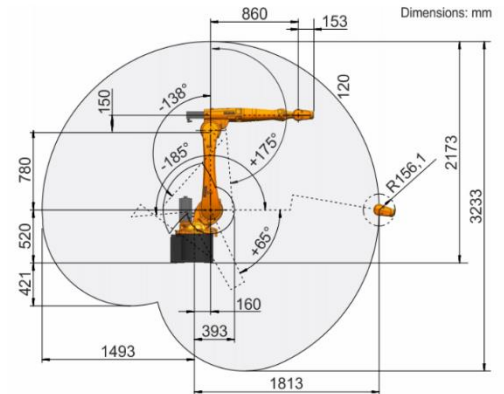
Technical Data and illustrations are not binding for the delivery. Subject to change without notice.

Ideally matched for your function requirements KUKA Cleaner/Primer Cell

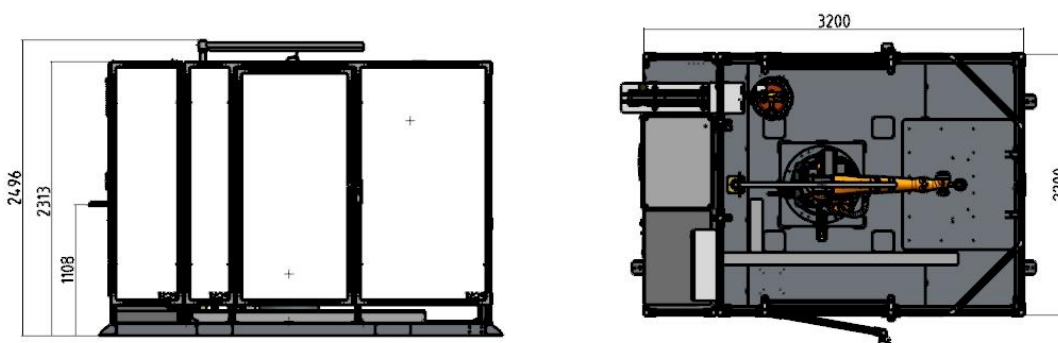
Basic Configuration - Technical Data:

| | |
|-----------------------------------|--|
| Cell type | KUKA cell4_cleaner/primer single KR with two maintenance doors (swiveling doors) |
| Robot | 1x KR CYBERTECH KR 20 R1810-2 |
| Control | KR C4 |
| Component supply | prepared for conveyor system |
| Conveying height | 850 to 1000 mm |
| - Width | max. 1000 mm |
| Dosing equipment | diaphragm pump |
| Felt gripper | single incl. compensation |
| Felt supply | 2-lane, length 1000 mm |
| Felt dimension | width 8 to 16 mm height 10 to 20 mm |
| Felt length (cutting length) | 25 to 35 mm |
| Exhaust connector | prepared for customer's exhaust system |
| Waste bin incl. exhaust connector | for felt disposal |
| Felt monitoring: | Felt available Medium available |

Work envelope, KR 20 R1810 -2



Cell Layout:



For further information please contact us under info@kuka.com

Statements on quality and usability of the products are no warranty of properties but are for information only. The respective Contractual Goods are relevant for the scope of our supply and services. The pictures partly include optional equipment that does not belong to the standard scope of delivery. Technical Data and illustrations are not binding for the delivery. Subject to change without notice.