

Automation Solutions_Linear robot KR 80L



The three-axis **linear robot KR 80L** has Cartesian axes which are operated via the robot controller. The development of the new KR 80L benefited greatly from our experience gained from many handling applications and our expertise as one of the leading suppliers of intelligent automation solutions.

We are setting new standards by using the KR C controller to pave the way for present and future automation. Integration, maintenance and servicing costs are reduced, while efficiency and flexibility are sustainably increased at the same time. The worldwide KUKA service network and KUKA RemoteService enable us to provide online assistance and ensure system availability and flexibility in ongoing operations.

Your advantages

- The modular design allows workspaces from 0.75 m³ up to 225 m³ to be implemented, making the KUKA linear robot a safe investment for your automation.
- Minimal interference contours below the robot mean that it is ideally suited for linking work processes by carrying out loading and unloading, palletizing, handling or transfer tasks, for example.
- The use of proven, series-produced robotic drive components ensures utmost performance and reliability.

Scope of supply consists of

- KR 80L with basic travel and a basic height of 1,750 mm (floor to lower edge of support arm axis 1)
 - A1 = 1,500 mm, A2 = 500 mm, A3 = 1,000 mm
- KR C robot controller

Options

- Stepwise travel extension for A1–A3
- Stepwise height extension of columns
- Wrist axis modules (A4; A6; A4/6)
- Additional safety brake system A3
- Central lubrication system

Automation Solutions_Linear robot KR 80L

Technical data

Rated payload	80 kg
Payload range (dependent on A3 travel)	55 to 127 kg
Repeatability	± 0.1 mm
Number of axes	3
Workspace	0.75 m³ to 225 m³
Weight with basic travel of A1 – A3 (without columns, without load)	approx. 1,040 kg

Velocities

A1	2.6 m/s
A2	2.0 m/s
A3	3.0 m/s

Travel

	A1	A2	A3
Basic travel	1,500 mm	500 mm	1,000 mm
Maximum travel	45,000 mm	2,000 mm	2,500 mm
Extension steps	500 mm	250 mm	250 mm
Additional weight per extension	160 kg	24 kg	12 kg

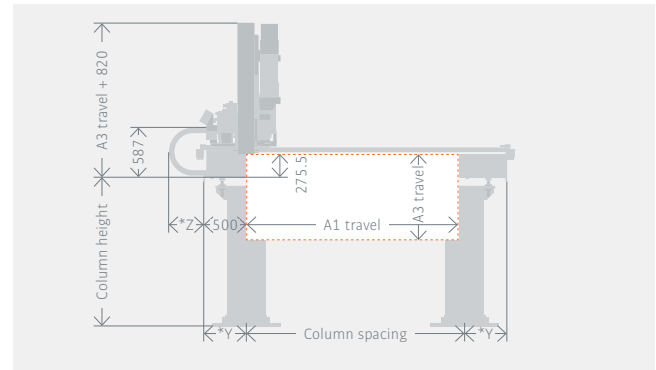
Payload table

A3 travel	Load (max.)
1.000 mm	127 kg
1.250 mm	115 kg
1.500 mm	103 kg
1.750 mm	91 kg
2.000 mm	79 kg
2.250 mm	67 kg
2.500 mm	55 kg

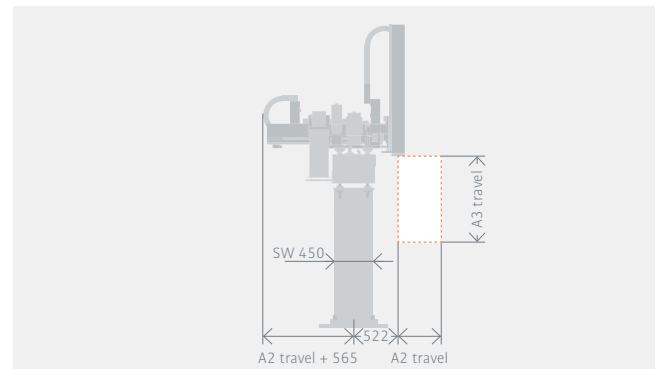
Columns

Size	SW 450
Basic height	1,750 mm
Maximum height	3,000 mm
Height extension steps	250 mm
Column spacing (max.)	5,000 mm
Support arm projection (max.)	1,250 mm

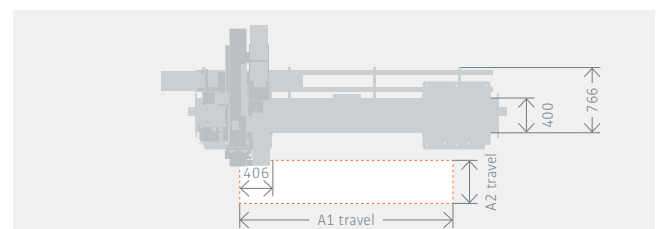
Workspace



Front view



Side view from left



Top view

Dimension *Y: ~ Support arm projection (max.) 1,250
 Dimension *Z: ~ 405 (A1 travel up to 5,000 – high-mounted cable carrier)
 ~ 900 (A1 travel 5,500 or more – low-mounted cable carrier)

For further information please contact us at
linear.robots@kuka.com