

Advanced Technology Solutions_KUKA flexFELLOW



In order for companies to remain competitive in the future, they have to face up to new challenges. As a result, there is a need for flexible and versatile solutions in industrial assembly operations. The basic module in this concept is the **KUKA flexFELLOW**. This mobile robot unit can be quickly moved into place and operated where it is needed.

KUKA flexFELLOW allows completely new flexibility for planning systems as well as fluid variation in terms of the degree of automation. The option of human-robot collaboration (HRC) dispenses with the need for safety fencing and the space requirements for automation are significantly reduced. The mobile robot unit allows a combination of manual and automatic tasks. Production can thus be optimally adapted to meet any capacity requirements. The advantages of the robot can thus be combined with the particular expertise of the human operator. Complex, additional sensors are rendered unnecessary by using the safe, integrated joint torque sensors of the KUKA LBR iiwa.

Overview of the advantages

- “Spontaneous automation” in 10 minutes (change from manual to automated)
- Change from automated to manual in 1–2 minutes – thereby increasing availability
- Increase in productivity of 30 %
- Payback of investment costs within 2 years
- Space requirement of less than 1 m²
- One system for different tasks – tool change in approx. 1 minute
- Very high energy efficiency – average power consumption approx. 500 watts

Scope of supply

- A flexible platform with a KUKA LBR iiwa installed
- An integrated robot control, KUKA Sunrise Cabinet
- A control panel (smartPAD) for the KUKA LBR iiwa
- A signal column (visualization of the system status)
- A cooling unit, integrated within the platform

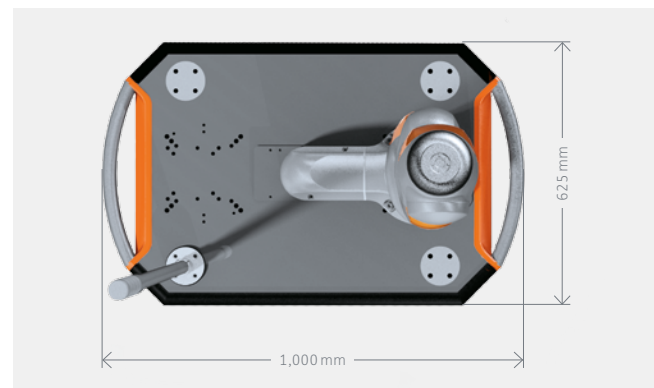
Advanced Technology Solutions_KUKA flexFELLOW

Technical data

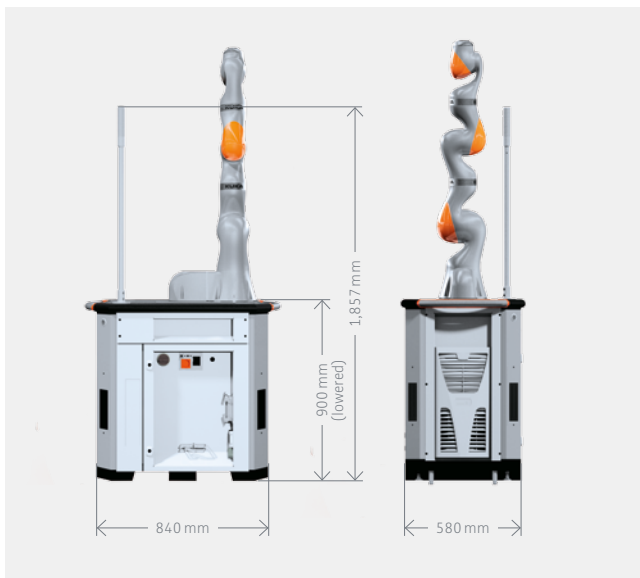
Total weight including pneumatic unit	approx. 280 kg
Protection class base unit	IP 54
Protection class pneumatic unit	IP 20
Voltage	230 V
Current	16 A
Space requirement	approx. 1 m ²

Options

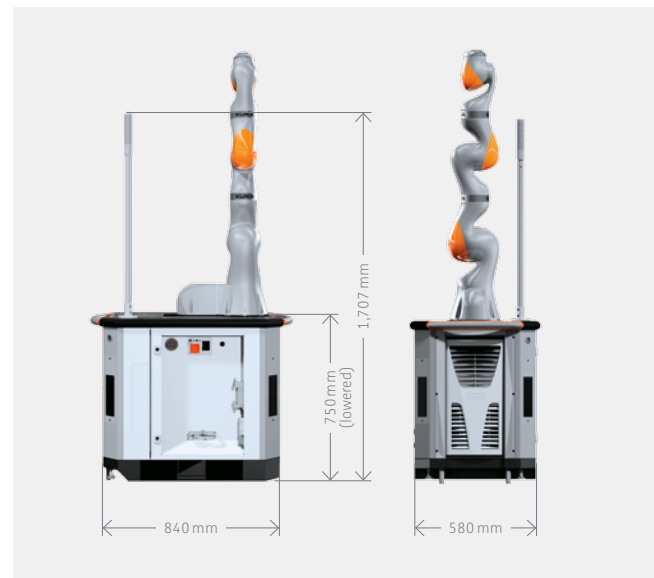
- Pneumatic unit
- Application package pneumatic components
- Lowering device for stability
- Height-adjustable handle for ergonomic pushing
- Safety-oriented polling of the lower handle position
- Additional Emergency Stop on function plate
- Disconnectable smartPAD
- Interface for locking of additional carriage and peripherals



Top view



Side view with pneumatic unit



Side view without pneumatic unit

For further information please contact us at
flexFELLOW@kuka.de